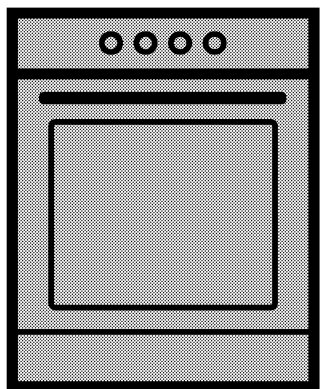


# Oven

## User manual



CSS 48100 G

**EN | RU | BG**

585.3001.51/R.AA/14.01.2016/4-1

## Please read this user manual first!

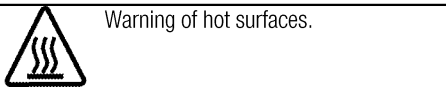
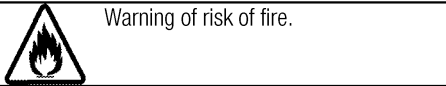
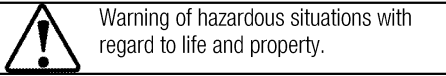
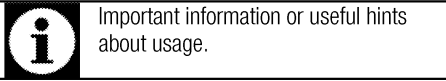
Dear Customer,

Thank you for purchasing this Beko product. We hope that you get the best results from your product which has been manufactured with high quality and state-of-the-art technology. Therefore, please read this entire user manual and all other accompanying documents carefully before using the product and keep it as a reference for future use. If you handover the product to someone else, give the user manual as well. Follow all warnings and information in the user manual.

Remember that this user manual is also applicable for several other models. Differences between models will be identified in the manual.

### Explanation of symbols

Throughout this user manual the following symbols are used:



**Arçelik A.Ş.**

Karağaç caddesi No:2-6  
34445 Sütlüce/İstanbul/TURKEY

Made in TURKEY



This product was manufactured using the latest technology in environmentally friendly conditions.

## TABLE OF CONTENTS

### **1 Important instructions and warnings for safety and environment 4**

General safety.....	4
Electrical safety.....	4
Product safety.....	5
Intended use.....	7
Safety for children.....	7
Disposing of the old product.....	7
Package information.....	8

### **2 General information 9**

Overview.....	9
Package contents.....	10
Technical specifications.....	11

### **3 Installation 12**

Before installation.....	12
Installation and connection.....	13
Future Transportation.....	14

### **4 Preparation 15**

Tips for saving energy.....	15
Initial use.....	15
First cleaning of the appliance.....	15
Initial heating.....	15

### **5 How to use the hob 17**

General information about cooking.....	17
Using the hobs.....	17

### **6 How to operate the oven 19**

General information on baking, roasting and grilling.....	19
How to operate the electric oven.....	19
Operating modes.....	20
Using the oven clock.....	20
Cooking times table.....	21
How to operate the grill.....	21
Cooking times table for grilling.....	21

### **7 Maintenance and care 22**

General information.....	22
Cleaning the hob.....	22
Cleaning the control panel.....	22
Cleaning the oven.....	22
Removing the oven door.....	23
Removing the door inner glass.....	23
Replacing the oven lamp.....	23

### **8 Troubleshooting 25**

## **I Important instructions and warnings for safety and environment**

This section contains safety instructions that will help protect from risk of personal injury or property damage. Failure to follow these instructions shall void any warranty.

### **General safety**

- This appliance can be used by children aged from 8 years and above and persons with reduced physical, sensory or mental capabilities or lack of experience and knowledge if they have been given supervision or instruction concerning use of the appliance in a safe way and understand the hazards involved.

Children shall not play with the appliance. Cleaning and user maintenance shall not be made by children without supervision.

- Never place the product on a carpet-covered floor. Otherwise, lack of airflow beneath the product will cause electrical parts to overheat. This will cause problems with your product.
- Installation and repair procedures must always be performed by Authorized Service Agents. The manufacturer shall not be held responsible for damages arising from procedures carried out by unauthorized persons which may

also void the warranty. Before installation, read the instructions carefully.

- Do not operate the product if it is defective or has any visible damage.
- Ensure that the product function knobs are switched off after every use.

### **Electrical safety**

- If the product has a failure, it should not be operated unless it is repaired by an Authorized Service Agent. There is the risk of electric shock!
- Only connect the product to a grounded outlet/line with the voltage and protection as specified in the “Technical specifications”. Have the grounding installation made by a qualified electrician while using the product with or without a transformer. Our company shall not be liable for any problems arising due to the product not being earthed in accordance with the local regulations.
- Never wash the product by spreading or pouring water onto it! There is the risk of electric shock!
- The product must be disconnected during installation,

maintenance, cleaning and repairing procedures.

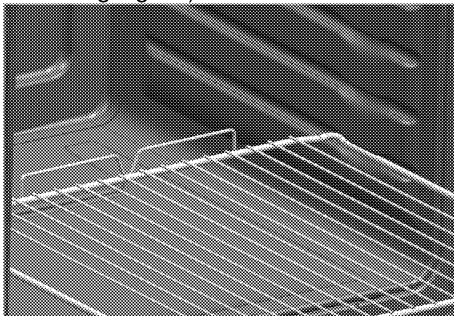
- If the power connection cable for the product is damaged, it must be replaced by the manufacturer, its service agent or similarly qualified persons in order to avoid a hazard.
- Only use the connection cable specified in the “Technical specifications”.
- The appliance must be installed so that it can be completely disconnected from the mains supply. The separation must be provided by a switch built into the fixed electrical installation, according to construction regulations.
- Rear surface of the oven gets hot when it is in use. Make sure that the electrical connection does not contact the rear surface; otherwise, connections can get damaged.
- Do not trap the mains cable between the oven door and frame and do not route it over hot surfaces. Otherwise, cable insulation may melt and cause fire as a result of short circuit.
- Any work on electrical equipment and systems should only be carried out by authorized and qualified persons.
- In case of any damage, switch off the product and disconnect it from the mains. To do this, turn off the fuse at home.
- Make sure that fuse rating is compatible with the product.

### **Product safety**

- The appliance and its accessible parts become hot during use. Care should be taken to avoid touching heating elements. Children less than 8 years of age shall be kept away unless continuously supervised.
- Never use the product when your judgment or coordination is impaired by the use of alcohol and/or drugs.
- Be careful when using alcoholic drinks in your dishes. Alcohol evaporates at high temperatures and may cause fire since it can ignite when it comes into contact with hot surfaces.
- Do not place any flammable materials close to the product as the sides may become hot during use.
- During use the appliance becomes hot. Care should be taken to avoid touching heating elements inside the oven.
- Keep all ventilation slots clear of obstructions.
- Do not heat closed tins and glass jars in the oven. The pressure

that would build-up in the tin/jar may cause it to burst.

- Do not place baking trays, dishes or aluminium foil directly onto the bottom of the oven. The heat accumulation might damage the bottom of the oven.
- Do not use harsh abrasive cleaners or sharp metal scrapers to clean the oven door glass since they can scratch the surface, which may result in shattering of the glass.
- Do not use steam cleaners to clean the appliance as this may cause an electric shock.
- **Placing the wire shelf and tray onto the wire racks properly**  
It is important to place the wire shelf and/or tray onto the rack properly. Slide the wire shelf or tray between 2 rails and make sure that it is balanced before placing food on it (Please see the following figure).



- Do not use the product if the front door glass removed or cracked.

- Do not use the oven handle to hang towels for drying. Do not hang up towel, gloves, or similar textile products when the grill function is at open door.
- Always use heat resistant oven gloves when putting in or removing dishes into/from the hot oven.
- Ensure that the appliance is switched off before replacing the lamp to avoid the possibility of electric shock.
- Unattended cooking on a hob with fat or oil can be dangerous and may result in fire. NEVER try to extinguish a fire with water, but switch off the appliance and then cover flame e.g. with a lid or a fire blanket.
- Danger of fire: Do not store items on the cooking surfaces.
- If the surface is cracked, switch off the appliance to avoid the possibility of electric shock.
- The appliance is not intended to be operated by means of an external timer or separate remote-control system.
- Vapour pressure that build up due to the moisture on the hob surface or at the bottom of the pot can cause the pot to move. Therefore, make sure that the oven surface and bottom of the pots are always dry.

- Use only hob guards designed by the manufacturer of the cooking appliance or indicated by the manufacturer of the appliance in the instructions for use as suitable or hob guards incorporated in the appliance. The use of inappropriate guards can cause accidents.

#### Prevention against possible fire risk!

- Ensure all electrical connections are secure and tight to prevent risk of arcing.
- Do not use damaged cables or extension cables.
- Ensure liquid or moisture is not accessible to the electrical connection point.

#### Intended use

- This product is designed for domestic use. Commercial use will void the guarantee.
- This appliance is for cooking purposes only. It must not be used for other purposes, for example room heating.
- This product should not be used for warming the plates under the grill, drying towels, dish cloths etc. by hanging them on the oven door handles. This product should also not be used for room heating purposes.
- The manufacturer shall not be liable for any damage caused by improper use or handling errors.

- The oven can be used for defrosting, baking, roasting and grilling food.

#### Safety for children

- Accessible parts may become hot during use. Young children should be kept away.
- The packaging materials will be dangerous for children. Keep the packaging materials away from children. Please dispose of all parts of the packaging according to environmental standards.
- Electrical products are dangerous to children. Keep children away from the product when it is operating and do not allow them to play with the product.
- Do not place any items above the appliance that children may reach for.
- When the door is open, do not load any heavy object on it and do not allow children to sit on it. It may overturn or door hinges may get damaged.

#### Disposing of the old product

#### Compliance with the WEEE Directive and Disposing of the Waste Product:



This product complies with EU WEEE Directive (2012/19/EU). This product bears a classification symbol for

waste electrical and electronic equipment (WEEE).

This product has been manufactured with high quality parts and materials which can be reused and are suitable for recycling. Do not dispose of the waste product with normal domestic and other wastes at the end of its service life. Take it to the collection center for the recycling of electrical and electronic equipment. Please consult your local authorities to learn about these collection centers.

**Compliance with RoHS Directive:**

The product you have purchased complies with EU RoHS Directive

(2011/65/EU). It does not contain harmful and prohibited materials specified in the Directive.

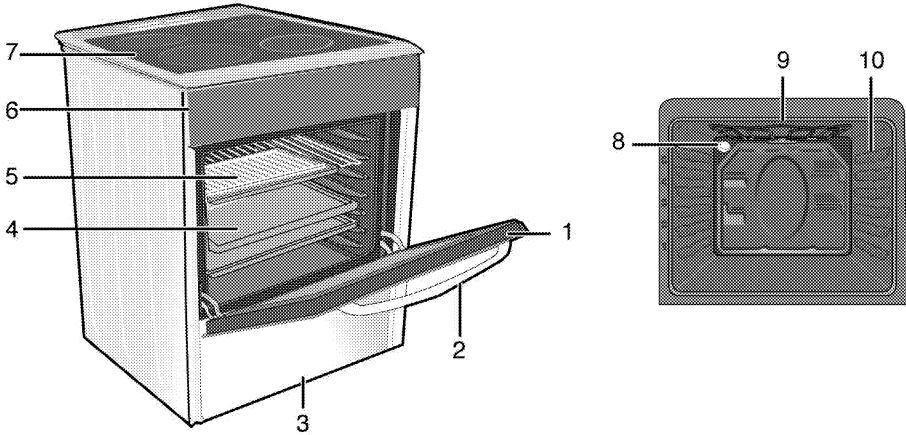
**Package information**

- Packaging materials of the product are manufactured from recyclable materials in accordance with our National Environment Regulations. Do not dispose of the packaging materials together with the domestic or other wastes. Take them to the packaging material collection points designated by the local authorities.

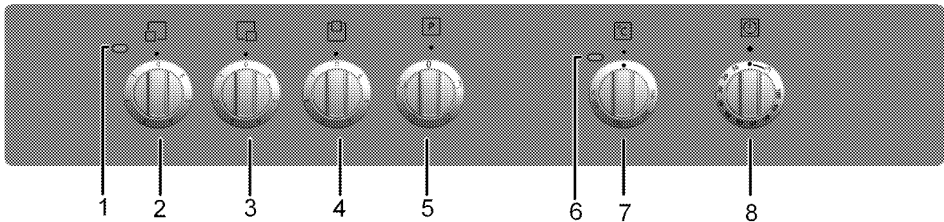


## 2 General information

### Overview



- |   |            |    |                       |
|---|------------|----|-----------------------|
| 1 | Front door | 6  | Control panel         |
| 2 | Handle     | 7  | Burner plate          |
| 3 | Lower part | 8  | Lamp                  |
| 4 | Tray       | 9  | Grill heating element |
| 5 | Wire shelf | 10 | Shelf positions       |



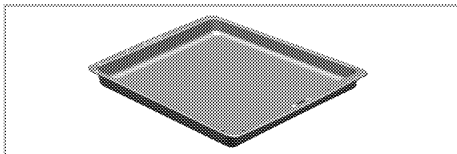
- |   |  |
|---|--|
| 1 | Warning lamp                             |
| 2 | Single-circuit cooking plate Front left  |
| 3 | Single-circuit cooking plate Front right |
| 4 | Single-circuit cooking plate Middle      |
| 5 | Function knob                            |
| 6 | Thermostat lamp                          |
| 7 | Thermostat knob                          |
| 8 | Mechanical timer                         |

## Package contents

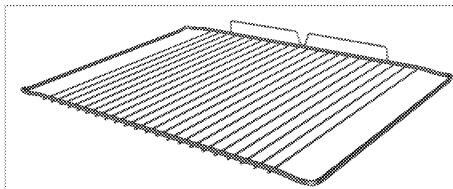


Accessories supplied can vary depending on the product model. Not every accessory described in the user manual may exist on your product.

1. **User manual**
2. **Oven tray**  
Used for pastries, frozen foods and big roasts.



3. **Wire Shelf**  
Used for roasting and for placing the food to be baked, roasted or cooked in casserole dishes to the desired rack.





## Technical specifications


GENERAL	
External dimensions (height / width / depth)	850 mm/500 mm/500 mm
Voltage / frequency	220-240V /380-415 V 3N ~ 50 Hz
Total power consumption	6000 W
Fuse	min. 16 A x 3 / 25 A
Cable type / section	H05VV-F 5 x 1,5 mm <sup>2</sup> / 3 x 2,5 mm <sup>2</sup>
Cable length	max. 2 m
HOB	
Burners	
Front left	<b>Single-circuit cooking plate</b>
Dimension	180 mm
Power	1700 W
Front right	<b>Single-circuit cooking plate</b>
Dimension	140 mm
Power	1200 W
Middle	<b>Single-circuit cooking plate</b>
Dimension	140 mm
Power	1200 W
OVEN/GRILL	
Main oven	<b>Conventional oven</b>
Inner lamp	15-25 W
Grill power consumption	1500 W

# Basics: Information on the energy label of electrical ovens is given in accordance with the EN 60350-1 / IEC 60350-1 standard. Those values are determined under standard load with bottom-top heater or fan assisted heating (if any) functions.

Energy efficiency class is determined in accordance with the following prioritization depending on whether the relevant functions exist on the product or not. 1-Cooking with eco-fan, 2- Turbo slow cooking, 3- Turbo cooking, 4- Fan assisted bottom/top heating, 5-Top and bottom heating.

 Technical specifications may be changed without prior notice to improve the quality of the product.

 Figures in this manual are schematic and may not exactly match your product.

 Values stated on the product labels or in the documentation accompanying it are obtained in laboratory conditions in accordance with relevant standards. Depending on operational and environmental conditions of the product, these values may vary.

### 3 Installation

Product must be installed by a qualified person in accordance with the regulations in force. The manufacturer shall not be held responsible for damages arising from procedures carried out by unauthorized persons which may also void the warranty.



Preparation of location and electrical installation for the product is under customer's responsibility.



#### DANGER:

The product must be installed in accordance with all local electrical regulations.



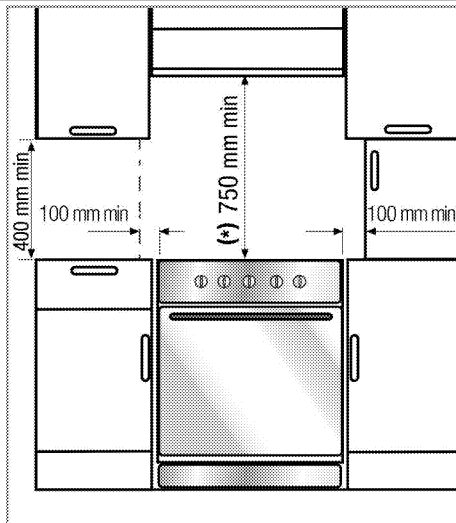
#### DANGER:

Prior to installation, visually check if the product has any defects on it. If so, do not have it installed.  
Damaged products cause risks for your safety.

#### Before installation

To ensure that critical air gaps are maintained under the appliance, we recommend that this appliance is mounted on a solid base and that the feet do not sink into any carpet or soft flooring.

The kitchen floor must be able to carry the weight of the appliance plus the additional weight of cookware and bakeware and food.

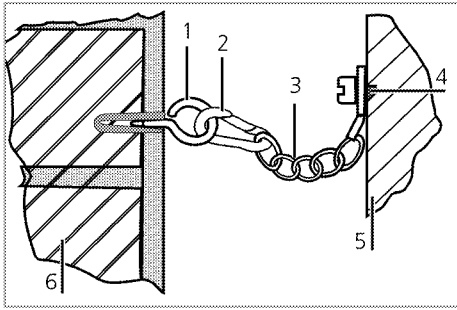


- It can be used with cabinets on either side but in order to have a minimum distance of 400mm above hotplate level allow a side clearance of 65mm between the appliance and any wall, partition or tall cupboard.
- It can also be used in a free standing position. Allow a minimum distance of 750 mm above the hob surface.
- (\*) If a cooker hood is to be installed above the cooker, refer to cooker hood manufacturer' instructions regarding installation height (min 650 mm).
- The appliance corresponds to device class 1, i.e. it may be placed with the rear and **one** side to kitchen walls, kitchen furniture or equipment of any size. The kitchen furniture or equipment on the **other** side may only be of the same size or smaller.
- Any kitchen furniture next to the appliance must be heat-resistant (100 °C min.).


#### Safety chain

The appliance must be secured against overbalancing by using the supplied two safety chains on your oven.

Fasten hook (1) by using a proper peg to the kitchen wall (6) and connect safety chain (3) to the hook via the locking mechanism (2).




- 1 Stability hook
- 2 Locking mechanism
- 3 Safety chain (supplied and mounted to oven)
- 4 Firmly fix chain to cooker rear
- 5 Rear of cooker
- 6 Kitchen wall

 Stability chain to be as short as practicable to avoid oven tilting forward and diagonal to avoid oven side tilting.


Cooker stability chain for cookers not designed with bracket engagement slot.

## Installation and connection

Product can only be installed and connected in accordance with the statutory installation rules.

 Do not install the product next to refrigerators or freezers. The heat emitted by the product will increase the energy consumption of cooling appliances.

- Carry the product with at least two persons.
- Product must be placed directly on the floor. It must not be placed onto a base or a pedestal.

 Do not use the door and/or handle to carry or move the product. The door, handle or hinges get damaged.

## Electrical connection

Connect the product to a grounded outlet/line protected by a fuse of suitable capacity as stated in the "Technical specifications" table. Have the grounding installation made by a qualified electrician while using the product with or without a transformer. Our company shall not be liable for any damages that will arise due to

using the product without a grounding installation in accordance with the local regulations.



### DANGER:

The product must be connected to the mains supply only by an authorised and qualified person. The product's warranty period starts only after correct installation. Manufacturer shall not be held responsible for damages arising from procedures carried out by unauthorised persons.



### DANGER:

The power cable must not be clamped, bent or trapped or come into contact with hot parts of the product. A damaged power cable must be replaced by a qualified electrician. Otherwise, there is risk of electric shock, short circuit or fire!

The mains supply data must correspond to the data specified on the type label of the product. The rating plate is either seen when the door or the lower cover is opened or it is located at the rear wall of the unit depending on the unit type. Power cable of your product must comply with the values in "Technical specifications" table.



### DANGER:

Before starting any work on the electrical installation, disconnect the product from the mains supply. There is the risk of electric shock!

## Connecting the power cable

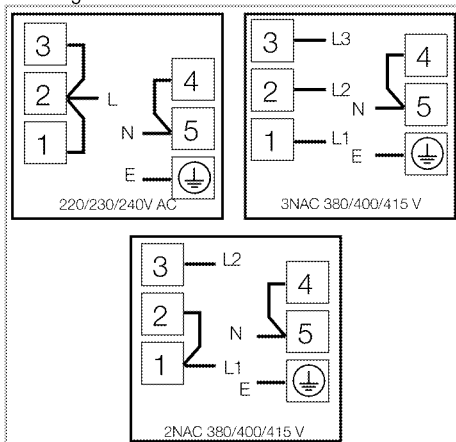
1. If a power cable is not supplied together with your product, a power cable that you would select from the table (*Technical specifications, page 17*) in accordance with the electrical installation at your home must be connected to your product by following the instructions in cable diagram.

If it is not possible to disconnect all poles in the supply power, a disconnection unit with at least 3 mm contact clearance (fuses, line safety switches, contactors) must be connected and all the poles of this disconnection unit must be adjacent to (not above) the product in accordance with IEE directives. Failure to obey this instruction may cause operational problems and invalidate the product warranty.



Additional protection by a residual current circuit breaker is recommended.

- Open the terminal block cover with a screwdriver.
- Insert the power cable through the cable clamp below the terminal and secure it to the main body with the integrated screw on cable clamping component.
- Connect the cables according to the supplied diagram.



- After completing the wire connections, close the terminal block cover.
- Route the power cable so that it will not contact the product and get squeezed between the product and the wall.



Power cable must not be longer than 2m because of safety reasons.

- Push the product towards the kitchen wall.

### Adjusting the feet of oven

Vibrations during use may cause cooking vessels to move. This dangerous situation can be avoided if the product is level and balanced.

For your own safety please ensure the product is level by adjusting the four feet at the bottom by turning left or right and align level with the work top.

### Final check

- Reconnect the product to the mains.
- Check electrical functions.

### Future Transportation

- Keep the product's original carton and transport the product in it. Follow the instructions on the carton. If you do not have the original carton, pack the product in bubble wrap or thick cardboard and tape it securely.
- To prevent the wire grill and tray inside the oven from damaging the oven door, place a strip of cardboard onto the inside of the oven door that lines up with the position of the trays. Tape the oven door to the side walls.
- Do not use the door or handle to lift or move the product.



Do not place any objects onto the product and move it in upright position.



Check the general appearance of your product for any damages that might have occurred during transportation.

## 4 Preparation

### Tips for saving energy

The following information will help you to use your appliance in an ecological way, and to save energy:

- Use dark coloured or enamel coated cookware in the oven since the heat transmission will be better.
- While cooking your dishes, perform a preheating operation if it is advised in the user manual or cooking instructions.
- Do not open the door of the oven frequently during cooking.
- Try to cook more than one dish in the oven at the same time whenever possible. You can cook by placing two cooking vessels onto the wire shelf.
- Cook more than one dish one after another. The oven will already be hot.
- You can save energy by switching off your oven a few minutes before the end of the cooking time. Do not open the oven door.
- Defrost frozen dishes before cooking them.
- Use pots/pans with cover for cooking. If there is no cover, energy consumption may increase 4 times.
- Select the burner which is suitable for the bottom size of the pot to be used. Always select the correct pot size for your dishes. Larger pots require more energy.
- Pay attention to use flat bottom pots when cooking with electric hobs. Pots with thick bottom will provide a better heat conduction. You can obtain energy savings up to 1/3.
- Vessels and pots must be compatible with the cooking zones. Bottom of the vessels or pots must not be smaller than the hotplate.
- Keep the cooking zones and bottom of the pots clean. Dirt will decrease the heat conduction between the cooking zone and bottom of the pot.
- For long cookings, turn off the cooking zone 5 or 10 minutes before the end of cooking time. You can obtain energy savings up to 20% by using the residual heat.

### Initial use

#### First cleaning of the appliance



The surface might get damaged by some detergents or cleaning materials.

Do not use aggressive detergents, cleaning powders/creams or any sharp objects during cleaning.

Do not use harsh abrasive cleaners or sharp metal scrapers to clean the oven door glass since they can scratch the surface, which may result in shattering of the glass.

1. Remove all packaging materials.
2. Wipe the surfaces of the appliance with a damp cloth or sponge and dry with a cloth.

#### Initial heating

Heat up the product for about 30 minutes and then switch it off. Thus, any production residues or layers will be burnt off and removed.



#### WARNING

Hot surfaces cause burns!

Product may be hot when it is in use. Never touch the hot burners, inner sections of the oven, heaters and etc. Keep children away. Always use heat resistant oven gloves when putting in or removing dishes into/from the hot oven.

#### Electric oven

1. Take all baking trays and the wire grill out of the oven.
2. Close the oven door.
3. Select Static position.
4. Select the highest grill power; See *How to operate the electric oven, page 19*.
5. Operate the oven for about 30 minutes.
6. Turn off your oven; See *How to operate the electric oven, page 19*

#### Grill oven

1. Take all baking trays and the wire grill out of the oven.
2. Close the oven door.
3. Select the highest grill power; see *How to operate the grill, page 21*.
4. Operate the grill about 30 minutes.

5. Turn off your grill; see *How to operate the grill, page 21*



Smoke and smell may emit for a couple of hours during the initial operation. This is quite normal. Ensure that the room is well ventilated to remove the smoke and smell. Avoid directly inhaling the smoke and the smell that emits.



## 5 How to use the hob

### General information about cooking



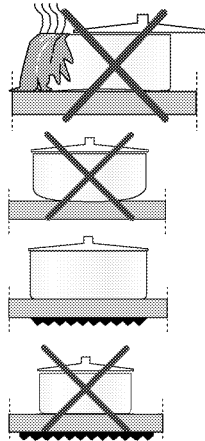
Never fill the pan with oil more than one third of it. Do not leave the hob unattended when heating oil. Overheated oils bring risk of fire. **Never attempt to extinguish a possible fire with water!** When oil catches fire, cover it with a fire blanket or damp cloth. Turn off the hob if it is safe to do so and call the fire department.

- Before frying foods, always dry them well and gently place into the hot oil. Ensure complete thawing of frozen foods before frying.
- Do not cover the vessel you use when heating oil.
- Place the pans and saucepans in a manner so that their handles are not over the hob to prevent heating of the handles. Do not place unbalanced and easily tilting vessels on the hob.
- Do not place empty vessels and saucepans on cooking zones that are switched on. They might get damaged.
- Operating a cooking zone without a vessel or saucepan on it will cause damage to the product. Turn off the cooking zones after the cooking is complete.
- As the surface of the product can be hot, do not put plastic and aluminum vessels on it. Clean any melted such materials on the surface immediately. Such vessels should not be used to keep foods either.
- Use flat bottomed saucepans or vessels only.
- Put appropriate amount of food in saucepans and pans. Thus, you will not have to make any unnecessary cleaning by preventing the dishes from overflowing. Do not put covers of saucepans or pans on cooking zones. Place the saucepans in a manner so that they are centered on the cooking zone. When you want to move the saucepan onto another cooking zone, lift and place it onto

the cooking zone you want instead of sliding it.

### Tips about glass ceramic hobs

- Glass ceramic surface is heatproof and is not affected by big temperature differences.
- Do not use the glass ceramic surface as a place of storage or as a cutting board.
- Use only the saucepans and pans with machined bottoms. Sharp edges create scratches on the surface.
- Do not use aluminum vessels and saucepans. Aluminum damages the glass ceramic surface.

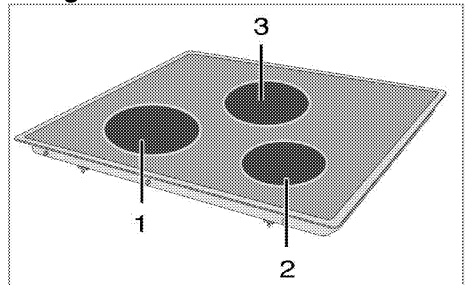


Spills may damage the glass ceramic surface and cause fire.

Do not use vessels with concave or convex bottoms.

Use only the saucepans and pans with flat bottoms. They ensure easier heat transfer. If the diameter of the saucepan is too small, energy will be wasted.

### Using the hobs



- 1 Single-circuit cooking plate 18-20 cm
- 2 Single-circuit cooking plate 14-16 cm
- 3 Single-circuit cooking plate 14-16 cm is list of advised diameter of pots to be used on related burners.

**DANGER:**

Do not allow any object to drop on the hob.  
Even small objects such as a saltshaker  
may damage the hob.

Do not use cracked hobs. Water may leak  
through these cracks and cause short  
circuit.

In case of any kind of damage on the  
surface (eg., visible cracks), switch off the  
product immediately to minimize the risk of  
electric shock.

**Turning on the ceramic plates**

The hob control knobs are used for operating the  
plates. To obtain the desired cooking power, turn  
the hob control knobs to the corresponding level.

Cooking level	1	2 — 3	4 — 6
	warming	stewing, simmering	cooking, roasting, boiling

**Turning off the ceramic plates**

Turn the plate knob to OFF (upper) position.

## 6 How to operate the oven

### General information on baking, roasting and grilling



#### WARNING

Hot surfaces cause burns!  
Product may be hot when it is in use. Never touch the hot burners, inner sections of the oven, heaters and etc. Keep children away. Always use heat resistant oven gloves when putting in or removing dishes into/from the hot oven.



#### DANGER:

Be careful when opening the oven door as steam may escape.  
Exiting steam can scald your hands, face and/or eyes.

#### Tips for baking

- Use non-sticky coated appropriate metal plates or aluminum vessels or heat-resistant silicone moulds.
- Make best use of the space on the rack.
- Place the baking mould in the middle of the shelf.
- Select the correct rack position before turning the oven or grill on. Do not change the rack position when the oven is hot.
- Keep the oven door closed.

#### Tips for roasting

- Treating whole chicken, turkey and large piece of meat with dressings such as lemon juice and black pepper before cooking will increase the cooking performance.
- It takes about 15 to 30 minutes longer to roast meat with bones when compared to roasting the same size of meat without bones.
- Each centimeter of meat thickness requires approximately 4 to 5 minutes of cooking time.
- Let meat rest in the oven for about 10 minutes after the cooking time is over. The juice is better distributed all over the roast and does not run out when the meat is cut.

- Fish should be placed on the middle or lower rack in a heat-resistant plate.

#### Tips for grilling

When meat, fish and poultry are grilled, they quickly get brown, have a nice crust and do not get dry. Flat pieces, meat skewers and sausages are particularly suited for grilling as are vegetables with high water content such as tomatoes and onions.

- Distribute the pieces to be grilled on the wire shelf or in the baking tray with wire shelf in such a way that the space covered does not exceed the size of the heater.
- Slide the wire shelf or baking tray with grill into the desired level in the oven. If you are grilling on the wire shelf, slide the baking tray to the lower rack to collect fats. Add some water in the tray for easy cleaning.

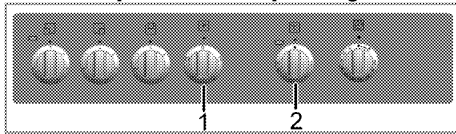


Foods that are not suitable for grilling carry the risk of fire. Only grill food which is suitable for intensive grilling heat.

Do not place the food too far in the back of the grill. This is the hottest area and fatty food may catch fire.

### How to operate the electric oven

#### Select temperature and operating mode



1 Function knob

2 Thermostat knob

1. Set the oven timer to the desired cooking time; see .
2. Set the Temperature knob to the desired temperature.
3. Set the Function knob to the desired operating mode.

» Oven heats up to the adjusted temperature and maintains it. During heating, temperature lamp stays on.

### Switching off the electric oven

Switch the oven timer to off position.



When the timer is set to a certain time, it will turn off automatically; see

Turn the function knob and temperature knob to off (upper) position.

### Operating modes

The order of operating modes shown here may be different from the arrangement on your product.

#### Top and bottom heating



Top and bottom heating are in operation. Food is heated simultaneously from the top and bottom. For example, it is suitable for cakes, pastries, or cakes and casseroles in baking moulds. Cook with one tray only.

#### Top heating



Only top heating is in operation. For example, it is suitable for cakes with bright surface and food which you desire to have browned from the top.

#### Bottom heating



Only bottom heating is in operation. It is suitable for pizza and for subsequent browning of food from the bottom.

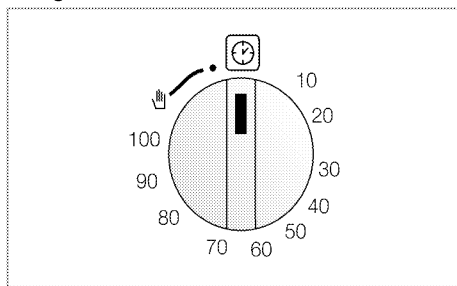
#### Full grill



Large grill at the ceiling of the oven is in operation. It is suitable for grilling large amount of meat.

- Put big or medium-sized portions in correct rack position under the grill heater for grilling.
- Set the temperature to maximum level.
- Turn the food after half of the grilling time.

### Using the oven clock



### Starting the cooking



In order to operate the oven, you must select cooking mode and the desired temperature and set the time. Otherwise, the oven will not operate.

1. Turn the Time Adjustment knob clockwise to set the cooking time.
2. Put your dish into the oven.
3. Select operation mode and temperature; see. *How to operate the electric oven, page 19.*  
» The oven will be heated up to the preset temperature and will maintain this temperature until the end of the cooking time you selected.
4. Once the cooking time is over, Time Setting knob will automatically rotate counterclockwise. A warning sound indicating that the set time is over is heard and the power is cut.




If you do not want to use the timer function, turn the knob counterclockwise towards the hand symbol.

5. Turn off the oven with the Time Setting knob, function knob and temperature knob.


### Turning off the oven before the set time




1. Turn the Time Adjustment knob counterclockwise until it stops.
2. Turn off the oven with the Function knob and Temperature knob.

## Cooking times table

 The timings in this chart are meant as a guide. Timings may vary due to temperature of food, thickness, type and your own preference of cooking.

## Baking and roasting

 1st rack of the oven is the **bottom** rack.

Dish	Cooking vessel	Rack position	Temperature (°C)	Cooking time (approx. in min.)
				
Cakes in tray	Oven tray 24 ... 26 cm	3	170 ... 180	25 ... 35
Cakes in mould	Cake mould 18 ... 22 cm	3	170 ... 180	35 ... 45
Cookies	Oven tray	3	170 ... 190	25 ... 35
Crispy mille-feuille	Oven tray	3	180 ... 190	25 ... 35
Donut	Oven tray	3	160 ... 180	25 ... 35
Pastries	Oven tray	3	200	40 ... 50
Leaven	Roasting tray	3	200	35 ... 45
Rich pastry	Oven tray	3	180 ... 190	25 ... 35
Dough pastry	Oven tray	3	180 ... 190	40 ... 50
Lasagna	Deep tray	3	170 ... 180	40 ... 50
Pizza	Oven tray	3	200 ... 220	15 ... 20
Steak	Oven tray	3	15 min. 250/max *	110 ... 120
Leg of lamb	Oven tray	3	15 min. 250/max *	70 ... 90
Roasted chicken	Oven tray	3	15 min. 250/max *	60 ... 70
Turkey (5.5 kg)	Oven tray	3	25 min. 220 *	180 ... 240
Fish	Oven tray	3	200 * then 150	15 ... 25

## How to operate the grill

 **WARNING**  
Close oven door during grilling.  
Hot surfaces may cause burns!

- Turn the Time Adjustment knob counter clockwise to Hand symbol when grilling.

### Switching on the grill

1. Turn the Function knob to the desired grill symbol.
2. Then, select the desired grilling temperature.
3. If required, perform a preheating of about 5 minutes.

### Grilling with electric grill

Food	Insertion level	Grilling time (approx.)
Fish	3..4	20...25 min. #
Sliced chicken	3..4	15...20 min.
Lamb chops	3..4	12...15 min.
Roast beef	3..4	15...25 min. #
Veal chops	3..4	15...25 min. #

# depending on thickness

» Temperature light turns on.

### Switching off the grill

1. Turn the Function knob to Off (top) position.



Foods that are not suitable for grilling carry the risk of fire. Only grill food which is suitable for intensive grilling heat.  
Do not place the food too far in the back of the grill. This is the hottest area and fatty food may catch fire.

### Cooking times table for grilling

## 7 Maintenance and care

### General information

Service life of the product will extend and the possibility of problems will decrease if the product is cleaned at regular intervals.

**DANGER:**

Disconnect the product from mains supply before starting maintenance and cleaning works.

There is the risk of electric shock!

**DANGER:**

Allow the product to cool down before you clean it.

Hot surfaces may cause burns!

- Clean the product thoroughly after each use. In this way it will be possible to remove cooking residues more easily, thus avoiding these from burning the next time the appliance is used.
- No special cleaning agents are required for cleaning the product. Use warm water with washing liquid, a soft cloth or sponge to clean the product and wipe it with a dry cloth.
- Always ensure any excess liquid is thoroughly wiped off after cleaning and any spillage is immediately wiped dry.
- Do not use cleaning agents that contain acid or chloride to clean the stainless or inox surfaces and the handle. Use a soft cloth with a liquid detergent (not abrasive) to wipe those parts clean, paying attention to sweep in one direction.



The surface might get damaged by some detergents or cleaning materials.

Do not use aggressive detergents, cleaning powders/creams or any sharp objects during cleaning.

Do not use harsh abrasive cleaners or sharp metal scrapers to clean the oven door glass since they can scratch the surface, which may result in shattering of the glass.



Do not use steam cleaners to clean the appliance as this may cause an electric shock.

### Cleaning the hob

#### Glass ceramic surfaces

Wipe the glass ceramic surface using a piece of cloth dampened with cold water in a manner as not to leave any cleaning agent on it. Dry with a soft and dry cloth. Residues may cause damage on the glass ceramic surface when using the hob for the next time.

Dried residues on the glass ceramic surface should under no circumstances be scraped with hook blades, steel wool or similar tools.

Remove calcium stains (yellow stains) by a small amount of lime remover such as vinegar or lemon juice. You can also use suitable commercially available products.

If the surface is heavily soiled, apply the cleaning agent on a sponge and wait until it is absorbed well. Then, clean the surface of the hob with a damp cloth.



Sugar-based foods such as thick cream and syrup must be cleaned promptly without waiting the surface to cool down. Otherwise, glass ceramic surface may be damaged permanently.

Slight color fading may occur on coatings or other surfaces in time. This will not affect operation of the product.

Color fading and stains on the glass ceramic surface is a normal condition, and not a defect.

#### Cleaning the control panel

Clean the control panel and knobs with a damp cloth and wipe them dry.



Do not remove the control buttons/knobs to clean the control panel.  
Control panel may get damaged!

#### Cleaning the oven

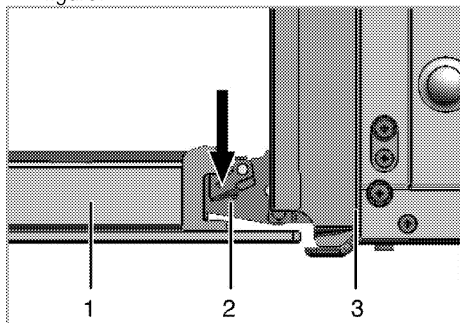
##### Clean oven door

To clean the oven door, use warm water with washing liquid, a soft cloth or sponge to clean the product and wipe it with a dry cloth.

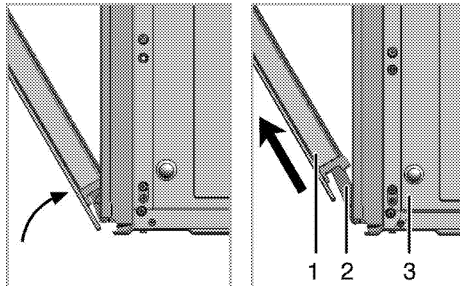
**i** Don't use any harsh abrasive cleaners or sharp metal scrapers for cleaning the oven door. They could scratch the surface and destroy the glass.

## Removing the oven door

1. Open the front door (1).
2. Open the clips at the hinge housing (2) on the right and left hand sides of the front door by pressing them down as illustrated in the figure.



- 1 Front door
- 2 Hinge
- 3 Oven



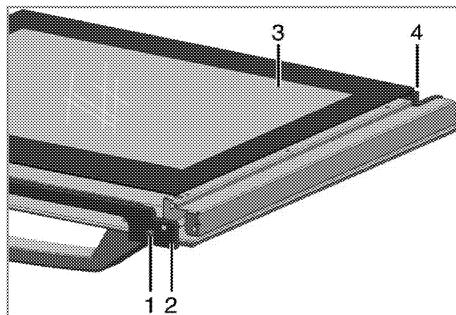
3. Move the front door to half-way.
4. Remove the front door by pulling it upwards to release it from the right and left hinges.

**i** Steps carried out during removing process should be performed in reverse order to install the door. Do not forget to close the clips at the hinge housing when reinstalling the door.

## Removing the door inner glass

The inner glass panel of the oven door can be removed for cleaning.

1. Open the oven door.



- 1 Screw
  - 2 Plastic profile
  - 3 Inner glass pane
  - 4 Plastic slot
2. Take out the screw(1) with a screwdriver
  3. Take out the profile (2) than hold up to inner glass (3).
  4. Then group the door again, put the glass pane (3) to the plastic slots (4) and group the profile.

## Replacing the oven lamp



### DANGER:

Before replacing the oven lamp, make sure that the product is disconnected from mains and cooled down in order to avoid the risk of an electrical shock. Hot surfaces may cause burns!



The oven lamp is a special electric light bulb that can resist up to 300 °C. See *Technical specifications, page 11* for details. Oven lamps can be obtained from Authorised Service Agents or technician with licence.



Position of lamp might vary from the figure.



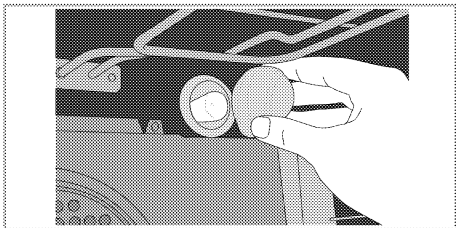
The lamp used in this appliance is not suitable for household room illumination. The intended purpose of this lamp is to assist the user to see foodstuffs.



The lamps used in this appliance have to withstand extreme physical conditions such as temperatures above 50 °C.

### If your oven is equipped with a round lamp:

1. Disconnect the product from mains.
2. Turn the glass cover counter clockwise to remove it.



3. Remove the oven lamp by turning it counter clockwise and replace it with the new one.
4. Install the glass cover.



## 8 Troubleshooting

### **Oven emits steam when it is in use.**

- It is normal that steam escapes during operation. >>> *This is not a fault.*

### **Product emits metal noises while heating and cooling.**

- When the metal parts are heated, they may expand and cause noise. >>> *This is not a fault.*

### **Product does not operate.**

- The mains fuse is defective or has tripped. >>> *Check fuses in the fuse box. If necessary, replace or reset them.*
- Product is not plugged into the (grounded) socket. >>> *Check the plug connection.*

### **Oven light does not work.**

- Oven lamp is defective. >>> *Replace oven lamp.*
- Power is cut. >>> *Check if there is power. Check the fuses in the fuse box. If necessary, replace or reset the fuses.*

### **Oven does not heat.**

- Function and/or Temperature are not set. >>> *Set the function and the temperature with the Function and/or Temperature knob/key.*
- In models equipped with a timer, the timer is not adjusted. >>> *Adjust the time.*  
(In products with microwave oven, timer controls only microwave oven.)
- Power is cut. >>> *Check if there is power. Check the fuses in the fuse box. If necessary, replace or reset the fuses.*

### **(In models with timer) Clock display is blinking or clock symbol is on.**

- A previous power outage has occurred. >>> *Adjust the time / Switch of the product and switch it on again.*



Consult the Authorised Service Agent or technician with licence or the dealer where you have purchased the product if you can not remedy the trouble although you have implemented the instructions in this section. Never attempt to repair a defective product yourself.

Arcelik A.S.

Karaağaç Caddesi No:2-6 Sütlüce, 34445, Turkey  
Made in TURKEY

Importer in Russia: «BEKO LLC»

Address: Selskaya street, 49, Fedorovskoe village, Pershinskoe rural settlement, Kirzhach district, Vladimir region, Russian Federation 601021

The manufacture date is included in the serial number of a product specified on rating label, which is located on a product, namely: first two figures of serial number indicate the year of manufacture, and last two – the month.

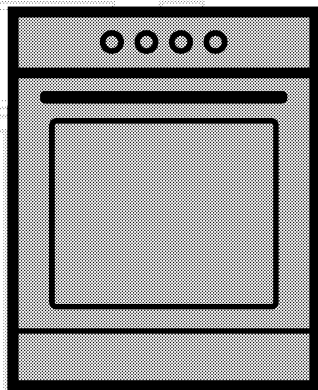
For example, "10- 100001-05" indicates that the product was produced in May, 2010.

You can ask for certification number from our Call Center 8-800-200-23-56 The manufacturer reserves the right for making changes in modification, design and specification of an electric device.



# Плита

## Руководство пользователя



RU

**beko**

## Перед началом эксплуатации прочитайте это руководство пользователя!

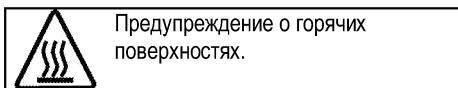
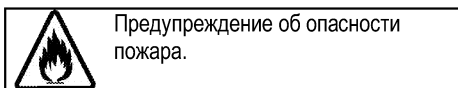
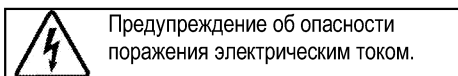
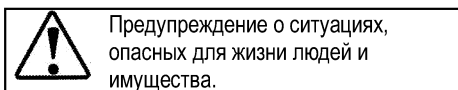
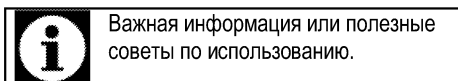
Уважаемый покупатель!

Спасибо за то, что отдали предпочтение продукции компании «Веко». Надеемся, что это высококачественное изделие, изготовленное с применением самых современных технологий, будет демонстрировать наилучшие результаты эксплуатации. Для этого перед началом эксплуатации внимательно прочитайте это руководство и всю сопутствующую документацию и используйте его в дальнейшем в качестве справочника. Если вы передаете изделие новому владельцу, передайте ему и руководство пользователя. Придерживайтесь всех предупреждений и информации, содержащихся в руководстве.

Помните, что данное руководство пользователя также может быть применимо к некоторым другим моделям. Различия между моделями будут указаны в руководстве.

### Пояснения к символам

В данном руководстве пользователя используются следующие символы:



<b><u>1</u></b>	<b><u>Важные инструкции и предупреждения по технике безопасности и охране окружающей среды</u></b>	<b><u>4</u></b>
	Общие правила техники безопасности .....	4
	Электробезопасность .....	4
	Безопасность изделия .....	6
	Использование по назначению .....	8
	Безопасность детей .....	9
	Утилизация старого изделия .....	10
	Утилизация упаковочных материалов .....	10
<b><u>2</u></b>	<b><u>Общие сведения</u></b>	<b><u>11</u></b>
	Обзор .....	11
	Содержание упаковки .....	12
	Технические характеристики .....	13
<b><u>3</u></b>	<b><u>Установка</u></b>	<b><u>14</u></b>
	До начала установки .....	14
	Установка и подключение .....	15
	Для будущей транспортировки .....	17
<b><u>4</u></b>	<b><u>Подготовка к эксплуатации</u></b>	<b><u>18</u></b>
	Рекомендации по экономии электроэнергии .....	18
	Подготовка к эксплуатации .....	18
	Очистка прибора перед началом эксплуатации .....	18
	Первоначальный прогрев .....	19
<b><u>5</u></b>	<b><u>Правила эксплуатации варочной панели</u></b>	<b><u>20</u></b>
	Общие сведения о приготовлении пищи ..	20
	Эксплуатация варочных панелей .....	21
<b><u>6</u></b>	<b><u>Правила эксплуатации духовки</u></b>	<b><u>22</u></b>
	Общие сведения о выпекании, жарении и приготовлении с грилем .....	22
	Правила эксплуатации электрической духовки .....	23
	Режимы работы .....	23
	Использование часов духовки .....	24
	Время приготовления блюд .....	25
	Как пользоваться грилем .....	25
	Время приготовления блюд на гриле .....	26
<b><u>7</u></b>	<b><u>Уход и техническое обслуживание</u></b>	<b><u>27</u></b>
	Общие сведения .....	27
	Чистка варочной панели .....	27
	Чистка панели управления .....	28
	Чистка духовки .....	28
	Снятие дверцы духового шкафа .....	28
	Снятие внутреннего стекла дверцы .....	28
	Замена лампочки освещения духового шкафа .....	29
<b><u>8</u></b>	<b><u>Поиск и устранение неисправностей</u></b>	<b><u>30</u></b>

## **1 Важные инструкции и предупреждения по технике безопасности и охране окружающей среды**

В данном разделе содержатся инструкции по технике безопасности, которые помогут вам избежать травм и повреждений. При несоблюдении этих правил все гарантийные обязательства аннулируются.

### **Общие правила техники безопасности**

- Это изделие может эксплуатироваться детьми старше 8 лет и людьми с ограниченными физическими, сенсорными или умственными способностями, а также лицами, не имеющими достаточного опыта и знаний, только в том случае, если они находятся под наблюдением лиц, ответственных за их безопасность, или проинструктированы на предмет безопасного использования изделия и осознают связанные с этим риски.

Следите за тем, чтобы дети не играли с устройством. Дети могут чистить и обслуживать устройство только под наблюдением.

- Не устанавливайте устройство на ковровом покрытии.

Недостаточная вентиляция под днищем устройства может привести к перегреву электрических деталей и проблемам в работе изделия.

- Работы по установке и ремонту должны выполняться только представителями авторизованной сервисной службы. Производитель не несет ответственности за повреждения в результате выполнения работ лицами, не имеющими соответствующей квалификации. Это также может привести к аннулированию гарантии. Перед установкой внимательно прочтите инструкции.
- Не пользуйтесь неисправным изделием, а также при наличии на нем заметных повреждений.
- Проверяйте, чтобы после каждого использования переключатели функций изделия были выключены.

### **Электробезопасность**

- В случае неисправности следует прекратить эксплуатацию изделия, пока оно не будет отремонтировано в авторизованном сервисном

центре. Существует риск поражения электрическим током!

- Изделие можно подключать только к заземленной розетке/линии, напряжение и уровень защиты которой соответствуют параметрам, указанным в разделе «Технические характеристики». Установку заземления должен выполнять квалифицированный специалист (при использовании прибора с трансформатором или без него). Наша компания не несет ответственности за какие-либо проблемы, возникшие вследствие использования изделия без заземления, выполненного в соответствии с местными нормами и правилами.
- Никогда не лейте воду на изделие во время мытья! Существует риск поражения электрическим током!
- Прежде чем приступить к установке, техническому обслуживанию, чистке и ремонту, изделие необходимо отключить от электросети.
- Во избежание несчастных случаев при повреждении кабеля питания его замену

должен выполнять производитель, его специалист по сервису или лицо, имеющее аналогичную квалификацию.

- Следует использовать только соединительный кабель, указанный в разделе «Технические характеристики».
- Электроприбор следует устанавливать таким образом, чтобы его можно было полностью отсоединить от сети электропитания. Отсоединение должно осуществляться с помощью штепсельной вилки или выключателя, встроенного в фиксированную сеть электропитания, в соответствии со строительными нормативами и правилами.
- Задняя стенка духового шкафа во время работы сильно нагревается. Следите за тем, электрические провода не соприкасались с задней стенкой, так как это может привести к их повреждению.
- Следите за тем, чтобы шнур питания не был зажат между рамой и дверцей духового шкафа, и не прокладывайте его по горячим поверхностям. В противном случае изоляция кабеля может расплавиться,

- что приведет к короткому замыканию и пожару.
- Все работы с электрическим оборудованием и системами должны выполняться только квалифицированными специалистами, допущенными к выполнению таких работ.
  - В случае какого-либо повреждения выключите прибор и отсоедините его от электросети. Для этого выключите общий предохранитель в доме.
  - Проверьте, соответствуют ли изделию номинальные характеристики предохранителя.

### **Безопасность изделия**

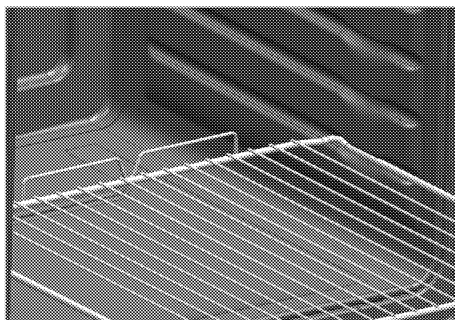
- Данное изделие и его внешние части нагреваются в процессе использования. Будьте осторожны, не касайтесь нагревательных элементов. Детей младше 8 лет следует допускать к духовому шкафу только под постоянным присмотром взрослых.
- Не пользуйтесь прибором, находясь под воздействием алкоголя или лекарственных препаратов, снижающих скорость реакции или нарушающих координацию движений.

- Будьте осторожны при использовании спиртных напитков в приготавливаемых блюдах. При высокой температуре спирт испаряется и при соприкосновении с горячими поверхностями может загореться и вызвать пожар.
- Не располагайте рядом с прибором легковоспламеняющиеся материалы, так как во время работы его боковые поверхности могут сильно нагреваться.
- Во время работы устройство может нагреваться. Будьте осторожны, не касайтесь нагревательных элементов внутри духового шкафа.
- Следите за тем, чтобы вентиляционные отверстия были полностью открыты.
- Не разогревайте в духовом шкафу продукты в закрытых жестяных или стеклянных банках. Внутри банок может повыситься давление, что приведет к взрыву.
- Не ставьте противни или посуду непосредственно на дно духового шкафа, а также не кладите на него алюминиевую фольгу. Избыточное тепло может



привести к повреждению дна духового шкафа.

- Не используйте для чистки стеклянной дверцы духового шкафа грубые абразивные чистящие средства или острые металлические скребки, чтобы не поцарапать поверхность, поскольку это может привести к разрушению стекла.
- Не используйте для чистки устройства пароочистители, поскольку это может привести к поражению электрическим током.
- **Правильное расположение проволочной решетки и противня на направляющих**  
Проволочную решетку и/или противень следует правильно устанавливать на направляющие. Вставьте проволочную решетку или противень между 2 направляющими и проверьте, устойчиво ли держится решетка или противень (см. рисунок). Только после этого можно класть на них продукты.



- Не пользуйтесь духовым шкафом, если стекло в передней дверце потрескалось или вынуто.
- Ручка духовки не предназначена для сушки полотенец. Если функция гриля включена, а дверца открыта, не вешайте полотенца, перчатки и другие тряпичные изделия.
- Помещая продукты в горячий духовой шкаф или вынимая их оттуда, обязательно пользуйтесь термостойкими рукавицами.
- Перед заменой лампочки убедитесь, что устройство выключено, чтобы избежать поражения электрическим током.
- При приготовлении пищи с жиром или маслом не оставляйте варочную панель без присмотра, поскольку это может привести к возгоранию. Категорически ЗАПРЕЩАЕТСЯ гасить такое пламя водой;

следует выключить устройство и накрыть огонь, например, крышкой или противопожарным покрытием.

- Опасность пожара: не храните предметы на конфорках.
- Если поверхность треснула, выключите устройство во избежание поражения электрическим током.
- Конструкция данного устройства не предусматривает управление им с помощью внешнего таймера или отдельной системы дистанционного управления.
- Следите за тем, чтобы дно посуды и поверхность конфорки были сухими, так как посуда может подпрыгивать под давлением пара, который образуется при нагревании влажных поверхностей.
- Используйте только защитные ограждения для плиты, разработанные производителем вашего кухонного оборудования или указанные производителем в руководстве пользователя вашего оборудования как подходящие для него, либо же защитные ограждения, встроенные в ваше кухонное оборудование производителем.

Использование несоответствующих защитных ограждений может привести к несчастному случаю.

Для обеспечения пожарной безопасности изделия соблюдайте нижеуказанные правила.

- Убедитесь, что вилка плотно вставлена в розетку и не искрит.
- Запрещается использовать поврежденный либо обрезанный кабель, а также удлинитель; можно пользоваться только оригинальным кабелем.
- Убедитесь, что в розетке, к которой подключается изделие, отсутствуют жидкость или влага.

### **Использование по назначению**

- Данное изделие предназначено исключительно для бытового использования. Запрещается использовать прибор в коммерческих целях.
- Данное изделие предназначено исключительно для приготовления пищи. Его запрещено использовать для других целей, например, для обогрева помещения."
- Изделие не следует использовать с целью нагревания тарелок под

грилем, сушки полотенец и посудных полотенец, путем развешивания их на ручках, а также для обогрева помещения.

- Производитель не несет ответственности за повреждения в результате использования изделия не по назначению или неправильного обращения с ним.
- Духовой шкаф можно использовать для размораживания, выпекания, жарения и приготовления продуктов на гриле.

## **Безопасность детей**

- Доступные части прибора могут сильно нагреваться при использовании. Не допускайте к ним детей.
- Упаковочные материалы опасны для детей. Храните упаковочные материалы в недоступном для детей месте. Утилизируйте все упаковочные материалы в соответствии с нормами по охране окружающей среды.
- Электрическое оборудование представляет опасность для детей. Во время работы духового шкафа не допускайте к нему детей, а также не разрешайте им играть с ним.
- Не размещайте над прибором предметы, которые дети могут попытаться достать.
- **Не** ставьте на открытую дверцу тяжелые предметы и **не** позволяйте детям садиться на нее, Духовой шкаф может перевернуться, а также могут быть повреждены петли дверцы.

**Утилизация старого изделия**  
**Соответствие Директиве ЕС об утилизации электрического и электронного оборудования (WEEE) и утилизация вышедшего из употребления оборудования:**



Данное изделие соответствует Директиве ЕС об утилизации электрического и электронного оборудования (2012/19/EU). Данное изделие имеет маркировку, указывающую на утилизацию его как электрического и электронного оборудования (WEEE).

Это изделие произведено из высококачественных деталей и материалов, которые подлежат повторному использованию и переработке.

Поэтому не выбрасывайте изделие с обычными бытовыми отходами после завершения его эксплуатации. Его следует сдать в соответствующий центр по утилизации электрического и электронного оборудования. О местонахождении таких центров вы можете узнать в местных органах власти.

**Соответствие Директиве ЕС об ограничении содержания вредных веществ (RoHS):**

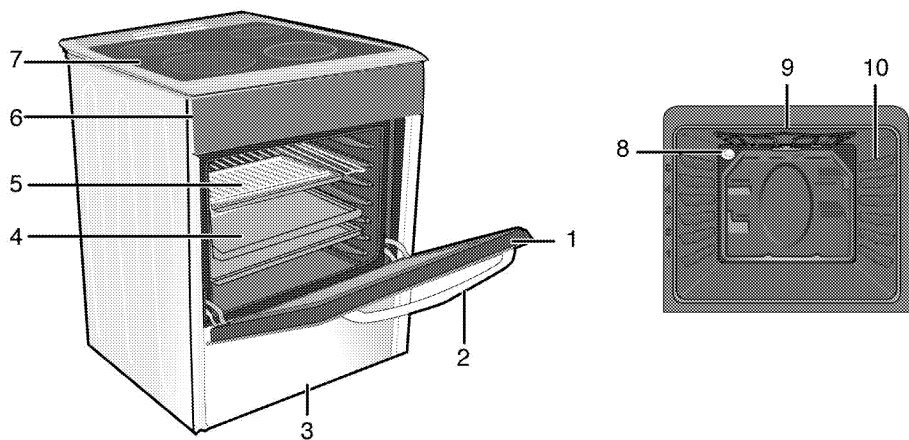
Приобретенное вами изделие соответствует Директиве ЕС о правилах ограничения содержания вредных веществ (2011/65/EU). Оно не содержит вредных и запрещенных материалов, указанных в Директиве.

**Утилизация упаковочных материалов**

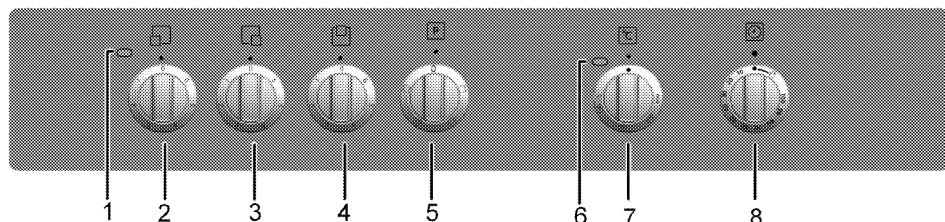
- Упаковочные материалы опасны для детей. Храните упаковочные материалы в безопасном и недоступном для детей месте. Упаковочные материалы изделия изготовлены из материалов, подлежащих вторичной переработке. Утилизируйте их соответствующим образом и сортируйте согласно инструкций по обращению с отходами, подлежащими вторичной переработке. Не утилизируйте их вместе с обычными бытовыми отходами.

## 2 Общие сведения

### Обзор



- |   |                     |    |                              |
|---|---------------------|----|------------------------------|
| 1 | Передняя дверца     | 6  | Панель управления            |
| 2 | Ручка дверцы        | 7  | Крышка конфорки              |
| 3 | Нижняя часть        | 8  | Лампочка                     |
| 4 | Противень           | 9  | Нагревательный элемент гриля |
| 5 | Проволочная решетка | 10 | Положения полок              |



- |   |  |   |                     |
|---|--|---|---------------------|
| 1 | Сигнальная лампочка                        | 6 | Лампочка термостата |
| 2 | Одноконтурная зона нагрева Передняя левая  | 7 | Ручка термостата    |
| 3 | Одноконтурная зона нагрева Передняя правая | 8 | Механический таймер |
| 4 | Одноконтурная зона нагрева Средняя         |   |                     |
| 5 | Ручка выбора функции                       |   |                     |

## Содержание упаковки

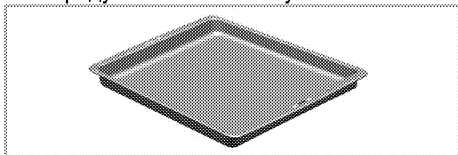


Изделие комплектуется различным набором дополнительных принадлежностей в зависимости от модели. Некоторые дополнительные принадлежности, описанные в руководстве пользователя, в комплекте этого изделия могут отсутствовать.

1. **Руководство пользователя**

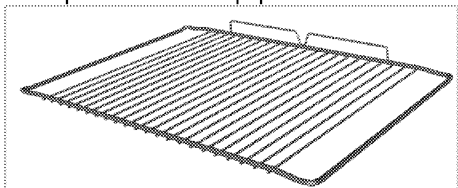
2. **Противень**

Предназначен для выпечки изделий из теста, размораживания замороженных продуктов и жарения продуктов большими кусками.



3. **Проволочная решетка**

Предназначена для жарения, а также для размещения продуктов на нужной полке при выпечке, жарении или приготовлении в формах.



## Технические характеристики



<b>ОБЩИЕ СВЕДЕНИЯ</b>	
Габариты (высота / ширина / глубина)	850 мм/500 мм/500 мм
Напряжение/частота	220-240В /380-415 В 3N ~ 50 Гц
Общая потребляемая мощность	6000 Вт
Предохранитель	мин. 16 А x 3 / 25 А
Тип кабеля/сечение	H05VV-F 5 x 1,5 мм <sup>2</sup> / 3 x 2,5 мм <sup>2</sup>
Длина кабеля	макс. 2 м
<b>ВАРОЧНАЯ ПАНЕЛЬ</b>	
<b>Конфорки</b>	
Передняя левая	<b>Одноконтурная зона нагрева</b>
Размеры	180 мм
Мощность	1700 Вт
Передняя правая	<b>Одноконтурная зона нагрева</b>
Размеры	140 мм
Мощность	1200 Вт
Средняя	<b>Одноконтурная зона нагрева</b>
Размеры	140 мм
Мощность	1200 Вт
<b>ДУХОВКА/ГРИЛЬ</b>	
Главный духовой шкаф	<b>Обычный духовой шкаф</b>
Лампочка внутреннего освещения	15–25 Вт
Гриль: потребляемая мощность	1500 Вт
<b>Класс защиты -1</b>	


# Основные сведения Данные на паспортной табличке энергопотребления электрических духовых шкафов приведены в соответствии со стандартом EN 60350-1 / IEC 60350-1. Эти данные определены при стандартной нагрузке с функциями нижнего-верхнего нагревательного элемента или нагрева с помощью вентилятора (при наличии).

Класс энергетической эффективности определен в соответствии с приведенными ниже приоритетами в зависимости от наличия или отсутствия соответствующих функций в изделии. 1 - Приготовление с вентилятором - экономичный режим, 2 - Медленное приготовление в турборежиме, 3 - Приготовление в турборежиме, 4 - Нагрев сверху и снизу с вентилятором, 5 - Нагрев сверху и снизу.

**«Этикетка энергоэффективности представлена на продукте»**

**Степень защиты IP 44**

	При усовершенствовании качества продукции технические характеристики могут быть изменены без предварительного уведомления.
	Иллюстрации в данном руководстве являются схематичными и могут несколько отличаться от конкретного изделия.

	Значения, указанные на этикетках изделия или в сопроводительной документации, получены в лабораторных условиях согласно соответствующим стандартам. Эти данные могут быть иными в зависимости от условий эксплуатации изделия.
---	--

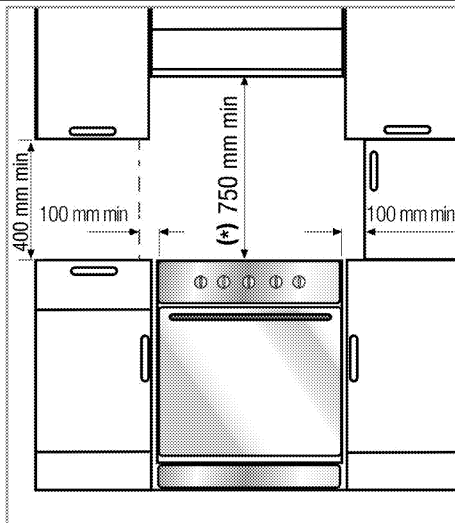
### 3 Установка

Прибор должен устанавливаться квалифицированным специалистом в соответствии с действующими нормами и правилами. В противном случае гарантия аннулируется. Производитель не несет ответственности за повреждения в результате выполнения работ лицами, не имеющими соответствующей квалификации. Это может привести к аннулированию гарантии.

	Подготовка места установки, электрического оборудования обеспечивается покупателем.
	<b>ОПАСНО:</b> Бытовой прибор следует устанавливать в соответствии со всеми местными нормами по подключению газового и/или электрического оборудования.
	<b>ОПАСНО:</b> Прежде чем приступать к установке, визуально проверьте отсутствие внешних дефектов духового шкафа. При наличии дефектов не устанавливайте его. Поврежденные электроприборы представляют собой угрозу вашей безопасности.

#### До начала установки

Для того чтобы обеспечить наличие необходимых зазоров для циркуляции воздуха под плитой, рекомендуем устанавливать ее на твердом основании так, чтобы ножки не погружались в ковер или мягкое напольное покрытие. Кухонный пол должен выдерживать вес прибора с учетом веса посуды и продуктов.



- Ее можно использовать с кухонными шкафами с обеих сторон, однако следует оставить свободное пространство минимум 400 мм над уровнем конфорок, а также боковое свободное пространство не менее 65 мм между плитой и стеной, перегородкой или высоким кухонным шкафом.
- Плита может также стоять отдельно. Обеспечьте свободное расстояние не менее 750 мм от поверхности плиты до поверхностей над ней.
- В случае установки надплитного воздухоочистителя соблюдайте инструкции его производителя в отношении высоты монтажа устройства (мин. 650 мм).
- Это устройство соответствует требованиям к приборам класса 1, и его можно устанавливать так, чтобы задняя и **одна** из боковых стенок примыкали к стенам помещения, стенкам кухонных шкафчиков или бытовых приборов любой высоты. Кухонная мебель или бытовые приборы, примыкающие с



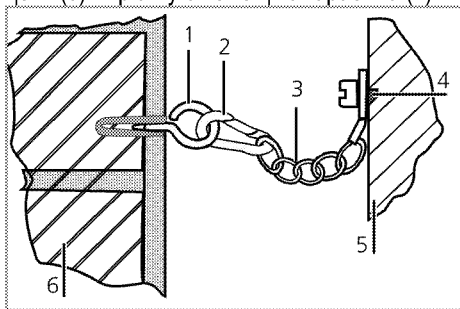
другой стороны, должны быть не выше прибора.

- Вся кухонная мебель, рядом с которой устанавливается устройство, должна быть термостойкой (не менее 100 °С).

### Предохранительная цепь

Для обеспечения устойчивости изделия его необходимо закрепить с помощью двух предохранительных цепей, входящих в комплект поставки.

С помощью соответствующего дюбеля установите крючок (1) в стене кухни (6), а затем подсоедините предохранительную цепь (3) к крючку с помощью карабина (2).



- 1 Крючок
- 2 Карабин
- 3 Предохранительная цепь
- 4 Прочно закрепите цепь с задней стороны плиты
- 5 Задняя сторона плиты
- 6 Стена кухни

**i** Предохранительная цепь должна быть как можно короче, чтобы исключить опрокидывание изделия как вперед, так и в сторону.

В конструкции предохранительной цепи для плиты нет гнезда для крепления скобы.

## Установка и подключение

Прибор следует устанавливать и подключать в соответствии с действующими нормами и правилами.

**i** Не устанавливайте изделие рядом с холодильником или морозильной камерой. Поскольку духовой шкаф излучает тепло, холодильники будут потреблять больше электроэнергии.

- Переносить прибор должны не менее двух человек.
- Прибор следует устанавливать прямо на пол. Не устанавливайте прибор на подставки.

**i** Не перемещайте устройство, держась за дверцу и/или за ручку дверцы. Дверца, ручка или петли могут повредиться.

### Подключение к электросети

Подключайте прибор к розетке или линии с заземлением, защищенную предохранителем, мощность которого соответствуют данным, приведенным в таблице "Технические характеристики". Установку заземление должен выполнять квалифицированный специалист (при использовании прибора с трансформатором или без него). Наша компания не несет ответственности за ущерб, понесенный вследствие использования прибора без заземления, выполненного в соответствии с местными нормами и правилами.

**!** **ОПАСНО:**  
Подключение прибора к электросети должен выполнять квалифицированный специалист, имеющий право на выполнение таких работ. Гарантийный период начинается только после правильной установки. Производитель не несет ответственности за повреждения в результате выполнения работ лицами, не имеющими соответствующей квалификации.

**ОПАСНО:**

Шнур питания не должен быть сдавлен, изогнут или зажат, а также не должен соприкасаться с нагревающимися компонентами изделия.

Замену поврежденного шнура питания должен выполнять квалифицированный электрик. В противном случае это может привести к поражению электрическим током, короткому замыканию или возгоранию!

Параметры электрической сети должны соответствовать данным, указанным на паспортной табличке прибора. Паспортную табличку можно увидеть либо при открытой дверце или нижней крышке, либо на задней стенке прибора, в зависимости от типа прибора.

Шнур питания прибора должен соответствовать параметрам, указанным в таблице "Технические характеристики".

**ОПАСНО:**

Перед выполнением каких-либо электромонтажных работ отключите прибор от электрической сети. Существует риск поражения электрическим током!

**Подключение кабеля питания**

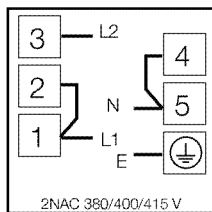
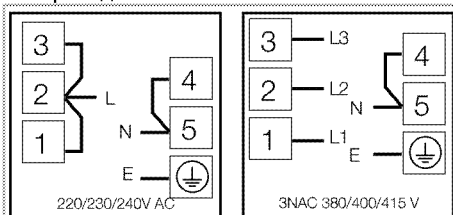
1. Если кабель питания не входит в комплект поставки, необходимо выбрать кабель питания по таблице (Технические характеристики, стр. 13) соответственно типу электрической сети в вашем доме и выполнить подключение в соответствии с приведенной схемой.

Если нет возможности установить автоматический выключатель на все контакты, то в соответствии с директивами МЭК следует использовать для подключения размыкатели с контактным зазором не менее 3 мм (плавкие предохранители, защитные сетевые выключатели, замыкатели). Место подключения должно находиться рядом с прибором, но не над плитой. Несоблюдение этих указаний может вызвать проблемы в процессе эксплуатации, а также привести к аннулированию гарантии на прибор.



В качестве дополнительной меры безопасности рекомендуется использовать устройство защитного отключения.

2. Снимите крышку клеммной коробки с помощью отвертки.
3. Вставьте кабель питания под клеммный зажим под клеммами и закрепите его с помощью винта, вставленного в этот зажим.
4. Присоединяйте провода согласно приведенной схеме.



5. После подсоединения проводов закройте крышку клеммной коробки.
6. Следите за тем, чтобы подключенный кабель питания не прикасался к прибору и не был зажат между прибором и стеной.



По причинам безопасности длина кабеля питания не должна превышать 2 м.

- Придвиньте прибор к стене кухни.
- **Регулирование ножек духовки**  
При наличии вибрации посуда во время приготовления может сдвигаться. Для предотвращения опасных ситуаций необходимо, чтобы прибор стоял ровно и устойчиво.

В целях безопасности, выровняйте прибор с помощью 4 регулируемых ножек ножки. Для этого поворачивайте их влево и вправо до тех пор, пока

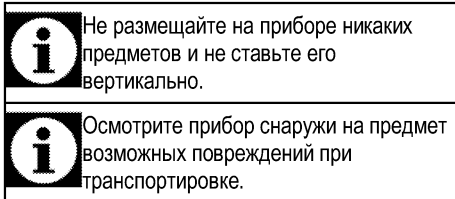
прибор не будет ровно стоять на столешнице.

### **Окончательная проверка**

1. Включите прибор в сеть.
2. Проверьте, работают ли электрические компоненты.

### **Для будущей транспортировки**

- Сохраните оригинальную упаковочную коробку и перевозите прибор в ней. Следуйте указаниям, нанесенным на упаковке. Если оригинальная упаковочная коробка не сохранилась, заверните изделие в пузырчатую упаковку или поместите в плотный картон. Надежно заклейте клейкой лентой.
- Чтобы проволочная решетка и противень, которые хранятся внутри духовки, не повредили дверцу, поместите с внутренней стороны дверцы картонную полоску вровень с противнями. Прикрепите дверцу духового шкафа к боковым стенкам клейкой лентой.
- Не поднимайте и не передвигайте духовой шкаф, держась за дверцу или за ручку дверцы.



## 4 Подготовка к эксплуатации

### Рекомендации по экономии электроэнергии

Эти рекомендации помогут вам использовать изделие экологически чистым способом и экономить электроэнергию.

- Используйте в духовом шкафу темную или эмалированную посуду: это позволит улучшить теплопередачу.
- Прогревайте духовой шкаф перед приготовлением пищи, если это рекомендуется в руководстве пользователя или в инструкциях по приготовлению продуктов.
- Во время приготовления пищи не открывайте дверцу духового шкафа слишком часто.
- По возможности старайтесь готовить в духовом шкафу несколько блюд одновременно. При приготовлении пищи на решетку можно устанавливать по две емкости с продуктами.
- Готовьте блюда одно за другим. Духовой шкаф уже будет прогрет.
- Для экономии электроэнергии можно выключать духовой шкаф за несколько минут до окончания приготовления блюда. Не открывайте дверцу духового шкафа.
- Размораживайте замороженные продукты перед приготовлением.
- Готовьте пищу в закрытой посуде. При приготовлении в открытой посуде энергопотребление может возрасти в 4 раза.
- Выбирайте конфорку соответственно размеру дна посуды. Обязательно выбирайте посуду соответственно объему приготовляемого блюда. Чем больше объем посуды, тем выше энергопотребление.
- Для приготовления пищи на электрических конфорках используйте посуду только с плоским дном.

Посуда с толстым дном лучше проводит тепло, что позволяет на треть сократить потребление энергии.

- Размер посуды должен соответствовать размеру зон нагрева. Не следует использовать посуду с дном меньшего диаметра, чем диаметр конфорки.
- Следите за тем, чтобы зоны нагрева и дно посуды были чистыми. Загрязнения ухудшают теплопередачу между зоной нагрева и дном посуды.
- Если блюдо готовится долго, выключайте зону нагрева за 5-10 минут до окончания приготовления. Использование остаточного тепла позволяет сэкономить до 20% электроэнергии.

### Подготовка к эксплуатации Очистка прибора перед началом эксплуатации



Некоторые моющие средства и чистящие материалы могут повредить поверхность.

Не используйте для чистки агрессивные моющие средства, чистящие порошки/кремы, а также острые предметы.

1. Снимите все упаковочные материалы.
2. Протрите поверхность прибора влажной тканью или губкой и вытрите насухо.

## Первоначальный прогрев

Прогрейте прибор в течение 30 минут, а затем выключите. Это обеспечит выгорание и удаление производственных загрязнений и покрытий.



### ПРЕДУПРЕЖДЕНИЕ!

Горячие поверхности могут причинить ожоги!

Во время работы прибор может сильно нагреваться. Не прикасайтесь к горячим конфоркам, внутренним частям духового шкафа, нагревательным элементам и т.п. Не разрешайте детям приближаться к нему.

Помещая продукты в горячий духовой шкаф или вынимая их оттуда, обязательно пользуйтесь термостойкими рукавицами.

## Электрический духовой шкаф

1. Выньте из духового шкафа все противни и решетку.
2. Закройте дверцу духового шкафа.
3. Выберите положение Static (Статический)
4. Включите гриль на максимальную мощность (см. раздел *Правила эксплуатации электрической духовки*, стр. 23).
5. Дайте духовому шкафу поработать около 30 минут.
6. Затем выключите духовой шкаф (см. раздел *Правила эксплуатации электрической духовки*, стр. 23).

## Духовой шкаф с грилем

1. Выньте из духового шкафа все противни и решетку.
2. Закройте дверцу духового шкафа.
3. Включите гриль на максимальную мощность (см. раздел *Как пользоваться грилем*, стр. 25).
4. Дайте духовому шкафу поработать около 30 минут.
5. Затем выключите духовой шкаф (см. раздел *Как пользоваться грилем*, стр. 25).



При первом включении в течение нескольких часов возможно выделение дыма и запаха. Это вполне нормально. Убедитесь, что кухня хорошо проветривается, чтобы удалить дым и запах. Не вдыхайте выделяющиеся дым и запахи.

## 5 Правила эксплуатации варочной панели

### Общие сведения о приготовлении пищи



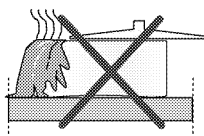
Не заполняйте кастрюлю растительным маслом более чем на одну треть. При нагревании масла не оставляйте варочную панель без присмотра. Остерегайтесь возгорания раскаленных масел. **Не тушите огонь водой!** При возгорании масла накройте посуду одеялом или влажной тканью. По возможности выключите варочную панель и позвоните в пожарную службу.

- Перед жареньем продукты нужно обязательно обсушивать. Опускайте продукты в горячий жир с осторожностью. Замороженные продукты перед жареньем следует полностью разморозить.
- Посуду, в которой разогревается жир, накрывать нельзя.
- Посуду следует ставить на плиту таким образом, чтобы ручки не нагревались над горячей поверхностью плиты. Не ставьте на плиту неустойчивую посуду, которая легко опрокидывается.
- Не ставьте на включенные конфорки пустую посуду – это может привести к ее повреждению.
- Не оставляйте включенными конфорки, на которых нет посуды – это может привести к повреждению плиты. Обязательно выключайте конфорки после окончания приготовления пищи.
- Не ставьте на плиту пластмассовую или алюминиевую посуду, так как на горячей поверхности они могут расплавиться. Расплавившиеся материалы следует сразу же счищать с поверхности. Такую посуду также не следует использовать для хранения пищевых продуктов.

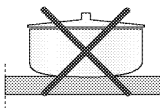
- Можно использовать только посуду с плоским дном.
- Размер посуды должен соответствовать количеству продуктов. Тогда продукты не будут выплескиваться из посуды, и не придется лишний раз мыть плиту. Не кладите на конфорки крышки кастрюль. Размещайте посуду по центру конфорки. Если нужно переместить посуду на другую конфорку, поднимите ее и переставьте. Ни в коем случае не передвигайте посуду по поверхности плиты.

### Советы по использованию стеклокерамических варочных панелей

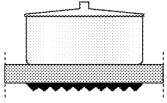
- Стеклокерамическая поверхность устойчива к нагреву и большим перепадам температуры.
- Не кладите на стеклокерамическую поверхность продукты и другие предметы и не используйте ее в качестве разделочной доски.
- Используйте посуду только с гладким дном. Посуда с острыми краями может поцарапать поверхность.
- Не используйте алюминиевую посуду, так как алюминий может повредить стеклокерамическую поверхность.



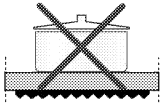
Выплеснувшиеся продукты могут повредить стеклокерамическую поверхность, и тем самым вызвать пожар.



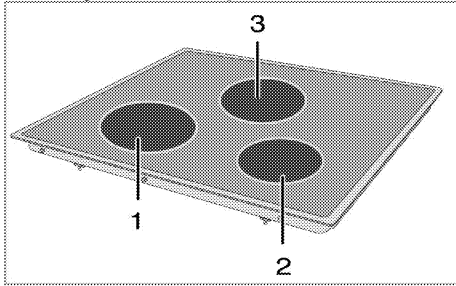
Не используйте посуду с вогнутым или выпуклым дном.



Используйте посуду только с плоским дном. Такая посуда нагревается быстро и равномерно. Если диаметр посуды слишком мал, энергия будет расходоваться впустую.



## Эксплуатация варочных панелей



- 1 Одноконтурная зона нагрева 18-20 см
- 2 Одноконтурная зона нагрева 14-16 см
- 3 Одноконтурная зона нагрева 14-16 см  
список рекомендованных диаметров посуды для использования на соответствующих конфорках.



### ОПАСНО:

Следите за тем, чтобы на варочную панель ничего не упало. Даже небольшие предметы (например, солонка) могут повредить варочную панель.

Не пользуйтесь варочной панелью, если на ней есть трещины. В трещины может попасть вода и вызвать короткое замыкание.

При обнаружении на поверхности каких-либо повреждений (например, трещин) немедленно выключите электроприбор во избежание поражения электрическим током.

## Включение стеклокерамических зон нагрева

Для управления стеклокерамическими зонами нагрева пользуйтесь их кнопками. Чтобы установить нужный уровень мощности, переведите регулятор зоны нагрева в соответствующее положение.

Уровень мощности	1	2 – 3	4 – 6
ти	разогреван ие	кипячение, выдерживан ие	варка, жарени е

## Выключение стеклокерамических зон нагрева

Поверните регулятор конфорки в положение «ВЫКЛ.» (вверх).

## 6 Правила эксплуатации духовки

### Общие сведения о выпекании, жарении и приготовлении с грилем



#### ПРЕДУПРЕЖДЕНИЕ!

Горячие поверхности могут причинить ожоги!

Во время работы прибор может сильно нагреваться. Не прикасайтесь к горячим конфоркам, внутренним частям духового шкафа, нагревательным элементам и т.п. Не разрешайте детям приближаться к нему.

Помещая продукты в горячий духовой шкаф или вынимая их оттуда, обязательно пользуйтесь термостойкими перчатками.



#### ОПАСНО:

Будьте осторожны, открывая дверцу духового шкафа, так как наружу может выходить пар.

Выпускаемый пар может обжечь вам руки, лицо и/или глаза.

### Советы по выпеканию

- Используйте антипригарные металлические тарелки или алюминиевые контейнеры с соответствующим покрытием, либо термостойкие силиконовые формы.
- Рационально используйте площадь решетки.
- Устанавливайте форму для выпекания в середине решетки.
- Выбирайте правильное положение решетки перед включением духового шкафа или гриля. Не изменяйте положение решетки, когда духовой шкаф горячий.
- Держите закрытой дверцу шкафа.

### Советы по приготовлению жареных блюд

- Тушку курицы или индейки и большие куски мяса перед приготовлением рекомендуется сбрызнуть лимонным соком и посыпать черным перцем. Тогда готовое блюдо будет вкуснее.
- Мясо с костями следует жарить на 15-30 минут дальше, чем такое же количества мяса без костей.
- На каждый сантиметр толщины мяса требуется приблизительно 4-5 минут времени приготовления.
- По истечении времени приготовления мяса оставьте его в духовом шкафу примерно на 10 минут. Сок лучше распределится внутри куска жареного мяса и не будет вытекать, когда вы будете разрезать мясо.
- Рыбу в термостойкой посуде следует готовить на решетке, установленной на средний или нижний уровень.

### Советы по приготовлению продуктов на гриле

При приготовлении на гриле мясо, рыба или птица быстро подрумянивается, сверху образуется хрустящая корочка, и продукт не пересыхает. На гриле можно отлично приготовить не только тонкие куски мяса, шашлык и сосиски, но и овощи с большим содержанием жидкости (например, помидоры и лук).

- Для приготовления на гриле разложите куски продуктов на решетке или на противне с решеткой так, чтобы площадь, занимаемая продуктами, соответствовала размерам нагревательного элемента.
- Вставьте решетку или противень с решеткой в духовку на нужный уровень. Если продукты готовятся на решетке, установите на нижний уровень поддон для сбора жира. Для облегчения чистки поддона налейте в него немного воды.

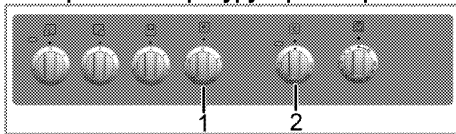




Продукты, которые не подходят для приготовления на гриле, могут привести к возгоранию. На гриле можно готовить только такие продукты, которые выдерживают интенсивный нагрев. Не размещайте продукты слишком близко к задней части гриля. Эта зона нагревается сильнее всего, и жирные продукты могут загореться.

## Правила эксплуатации электрической духовки

### Выберите температуру и режим работы



1 Ручка выбора функции

2 Ручка термостата

1. Настройте таймер духовки на нужную продолжительность приготовления (см. раздел ).
2. Установите нужную температуру с помощью регулятора температуры.
3. Установите нужный режим работы с помощью ручки выбора функций.  
» После нагрева духовки в ней будет поддерживаться заданная температура. Во время нагрева будет светиться индикатор температуры.

### Выключение электрической духовки

Переведите таймер духовки в положение отключения.



Когда таймер установлен на определенное время, он выключается автоматически (см.

Поверните ручку выбора функций и регулятор температуры в положение отключения (вверх).

## Режимы работы

Приведенная здесь последовательность режимов работы может отличаться от вашей модели.

### Нагрев сверху и снизу



Работают оба нагревательных элемента — и верхний, и нижний. Продукты подогреваются одновременно сверху и снизу. Этот режим подходит, например, для тортов, разной выпечки, а также кексов и запеканок в формах.. Готовьте только с одним противнем.

### Нагрев сверху



Работает только верхний нагревательный элемент. Этот режим подходит, например, для выпечки пирогов с румяной корочкой, а также для других блюд, которые нужно запечь сверху.

### Нагрев снизу



Работает только нижний нагревательный элемент. Подходит для выпечки пиццы и дополнительного обжаривания продуктов с нижней стороны.

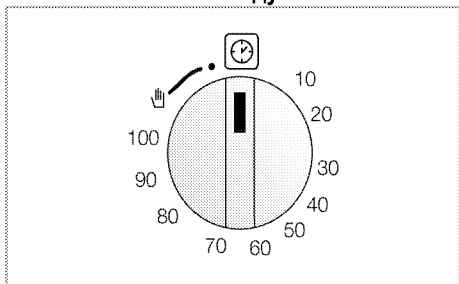
### Full grill (Усил. гриль)



Работает большой гриль на потолке духовки. Подходит для приготовления на гриле больших порций мяса.

- Для приготовления на гриле положите большие или средние порции под нагревательный элемент гриля на соответствующий уровень полки духового шкафа.
- Установите температуру на максимальный уровень.
- Когда пройдет половина времени, отведенного на приготовление, переверните продукт.

## Использование часов духовки



## Подготовка к работе и приготовление блюд

**i** Для подготовки духовки к работе необходимо выбрать нужный режим и температуру приготовления, а также установить время. В противном случае духовка работать не будет.

1. Задайте продолжительность приготовления, повернув ручку Time Adjustment (Установка времени) по часовой стрелке.
2. Поставьте блюдо в духовой шкаф.
3. Выберите режим работы и температуру (см. *Правила эксплуатации электрической духовки, стр. 23*).

» Духовка разогреется до заданной температуры, которая будет поддерживаться до установленного времени окончания приготовления.

4. По истечении заданного времени приготовления ручка Time Adjustment (Установка времени) автоматически повернется против часовой стрелки. Прозвучит звуковой сигнал, означающий, что заданное время истекло, и прибор выключится.

**i** Если таймер не используется, выключите его, повернув ручку против часовой стрелки к символу руки.

5. Духовку можно выключить с помощью регулятора времени, ручки выбора функций и регулятора температуры.

## Досрочное выключение духовки

1. Поверните регулятор Time Adjustment (Установка времени) против часовой стрелки до упора.
2. Выключите духовку с помощью ручки выбора функций и регулятора температуры.

## Время приготовления блюд



Значения времени в этой таблице следует считать справочными. Они могут изменяться в зависимости от температуры продуктов, толщины, вида и ваших кулинарных предпочтений.

## Выпечка и жарение



1-й полкой духового шкафа является нижняя полка.

Блюдо	Посуда	Уровень размещения	Температура (°C)	Примерное время приготовления (мин.)
Выпечка на противне	Противень 24 - 26 см	3	170 ... 180	25 ... 35
Выпечка в форме	Форма для выпечки 18 - 22 см	3	170 ... 180	35 ... 45
Печенье	Противень	3	170 ... 190	25 ... 35
Слоеное тесто	Противень	3	180 ... 190	25 ... 35
Пончики	Противень	3	160 ... 180	25 ... 35
Мучные кондитерские изделия	Противень	3	200	40 ... 50
Закваска	Противень для жарения	3	200	35 ... 45
Сдобная выпечка	Противень	3	180 ... 190	25 ... 35
Изделия из теста	Противень	3	180 ... 190	40 ... 50
Лазанья	Глубокий противень	3	170 ... 180	40 ... 50
Пицца	Противень	3	200 ... 220	15 ... 20
Мясо порционное	Противень	3	15 мин. 250/макс.*	110 ... 120
Баранья нога	Противень	3	15 мин. 250/макс.*	70 ... 90
Жареная курица	Противень	3	15 мин. 250/макс.*	60 ... 70
Индейка (5,5 кг)	Противень	3	25 мин. 220 *	180 ... 240
Рыба	Противень	3	200	15 ... 25
			* затем 150	

## Как пользоваться грилем



**ПРЕДУПРЕЖДЕНИЕ!**  
Закрывайте дверцу во время приготовления пиццы на гриле. Горячие поверхности могут причинить ожоги!

- При приготовлении в режиме гриля поверните регулятор времени по часовой стрелке и установите на значок Hand (Рука).

## Включение гриля

1. Поверните ручку выбора функций и установите на нужный значок режима «Гриль».
2. Затем установите нужную температуру жаренья.
3. При необходимости прогрейте гриль около 5 минут.  
» При этом включится индикаторная лампочка температуры.

## Выключение гриля

1. Поверните ручку выбора функций в положение отключения (вверх).



Продукты, которые не подходят для приготовления на гриле, могут привести к возгоранию. На гриле можно готовить только такие продукты, которые выдерживают интенсивный нагрев. Не размещайте продукты слишком близко к задней части гриля. Эта зона нагревается сильнее всего, и жирные продукты могут загореться.

### Время приготовления блюд на гриле Приготовление блюд на электрическом гриле

Продукты	Уровень размещения	Время приготовления на гриле (прибл.)
Рыба	3..4	20...25 мин. #
Курица (куски)	3..4	15...20 мин.
Отбивные из молодой баранины	3..4	12...15 мин.
Ростбиф	3..4	15...25 мин. #
Отбивные из телятины	3..4	15...25 мин. #

# в зависимости от толщины

## 7 Уход и техническое обслуживание

### Общие сведения

Регулярно выполняйте чистку прибора. Это позволит продлить срок его службы, а также избежать многих проблем.



#### ОПАСНО:

Перед выполнением работ по обслуживанию и чистке отключите прибор от электрической сети. Существует риск поражения электрическим током!



#### ОПАСНО:

Дайте изделию остыть, прежде чем приступать к чистке. Горячие поверхности могут причинить ожоги!

- Прибор следует тщательно чистить после каждого использования. Так легче удалять остатки пищи, которые могут пригореть при следующем использовании прибора.
- Для чистки прибора не требуются специальные чистящие средства. Прибор можно вымыть теплой водой с добавлением жидким моющего средства, используя мягкую ткань или губку. А затем протереть сухой тканью.
- Обязательно протирайте прибор насухо после чистки и сразу же удаляйте попавшую на него жидкость.
- Не используйте для чистки ручки и поверхностей из нержавеющей стали чистящие средства, содержащими кислоту или хлор. Эти детали можно протирать мягкой тканью, смоченной в жидком моющем средстве (без абразивных добавок), стараясь тереть в одном направлении.



Некоторые моющие средства и чистящие материалы могут повредить поверхность.

Не используйте для чистки агрессивные моющие средства, чистящие порошки/кремы, а также острые предметы.



Не используйте для чистки устройства пароочистители, поскольку это может привести к поражению электрическим током.

### Чистка варочной панели

#### Стеклокерамические поверхности

Протрите стеклокерамическую поверхность тканью, смоченной в холодной воде. Следите за тем, чтобы на ней не оставалось следов моющего средства. Вытрите поверхность насухо сухой мягкой тканью. Остатки пищи на стеклокерамической поверхности могут повредить ее при следующем включении.

Ни в коем случае не используйте для удаления из стеклокерамической поверхности засохших остатков пищи ножи с зубчатым лезвием, металлические мочалки и т.п.

Известковый налет (желтые пятна) можно удалять средствами, используемыми для удаления накипи, например, столовым уксусом или лимонным соком. Можно также использовать бытовые средства, которые продаются в торговой сети.

Для удаления сильных загрязнений нанесите моющее средство губкой и оставьте на некоторое время для воздействия. Затем очистите поверхность варочной панели влажной тканью.



Продукты, содержащие сахар, такие, как крем или сироп, нужно удалять немедленно, не дожидаясь остывания поверхности, так как они могут необратимо повредить стеклокерамическую поверхность.

Со временем может произойти изменение цвета поверхности, однако это никоим образом не влияет на ее работу.

Появление пятен и обесцвечивание стеклокерамической поверхности – это обычное явление, которые не являются признаком ее повреждения.

## Чистка панели управления

Очистьте панель управления и ручки-регуляторы влажной тканью и вытрите насухо.



Для чистки панели управления не снимайте кнопки/ручки-регуляторы. Так можно повредить панель управления!

## Чистка духовки

### Чистка дверцы духовки

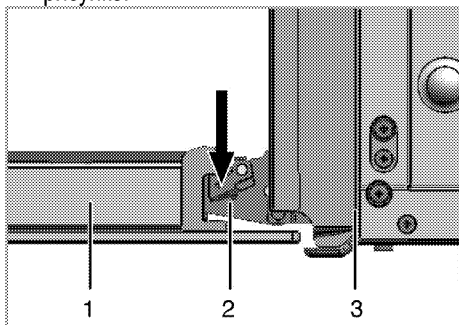
Мойте дверцу духовки мягкой тканью или губкой, смоченной в теплой воде с добавлением жидкого моющего средства, и вытирайте сухой тканью.



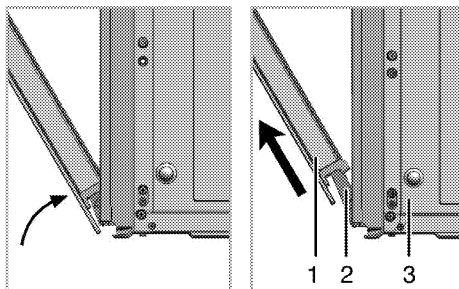
Не используйте для чистки дверцы моющие средства с абразивными веществами или металлические скребки. Они могут поцарапать поверхность и повредить стекло.

## Снятие дверцы духового шкафа

1. Откройте переднюю дверцу (1).
2. Откройте зажимы на корпусе петли (2) с правой и левой стороны передней дверцы, нажав на них, как показано на рисунке.



- 1 Передняя дверца
- 2 Петля
- 3 Духовой шкаф



3. Откройте переднюю дверцу наполовину.
4. Снимите переднюю дверцу, потянув ее вверх и освободив от правой и левой петли.



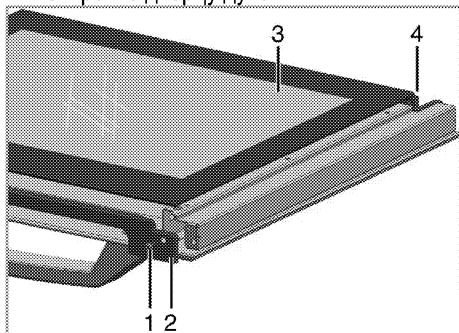
Для установки дверцы на место следует выполнить в обратном порядке действия по снятию. Не забудьте закрыть зажимы на корпусе петли при установке дверцы на место.

## Снятие внутреннего стекла

### дверцы

Внутреннее стекло панели дверцы духового шкафа можно снять для чистки.

1. Откройте дверцу духовки.



- 1 Винт
  - 2 Пластмассовый профиль
  - 3 Внутреннее стекло
  - 4 Пластмассовый держатель
2. Открутите отверткой винт (1)
  3. Выньте профиль (2), а затем внутреннее стекло (3).
  4. После чего соберите дверь, установив стекло (3) в пластмассовые держатели (4) и сгруппировав профиль.

## Замена лампочки освещения духового шкафа



### ОПАСНО:

Во избежание поражения электрическим током, прежде чем заменять лампочку, убедитесь в том, что электроприбор отсоединен от сети и остыл. Горячие поверхности могут причинить ожоги!



Для освещения духового шкафа используется специальная электрическая лампочка, которая может выдерживать температуру до 300 °С. Дополнительные сведения см. в разделе "*Технические характеристики*, стр. 13". Лампочки освещения духового шкафа можно приобрести в фирменных сервисных центрах.



Расположение лампочки может отличаться от изображения на рисунке.



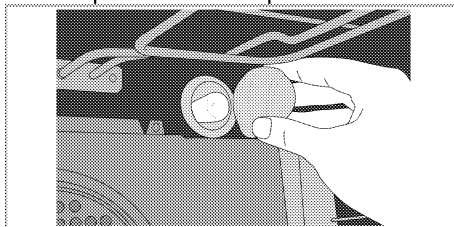
Лампа, используемая в этом приборе, не подходит для освещения бытовых помещений. Эта лампа предназначена для вспомогательной цели, позволяющей пользователю увидеть пищевые продукты.



Лампы, используемые в этом приборе, должны выдерживать экстремальные физические условия, например температуру выше 50 °С.

## Замена круглой лампочки освещения духового шкафа

1. Отсоедините духовой шкаф от электросети.
2. Снимите стеклянный плафон, повернув его против часовой стрелки.



3. Выверните лампочку освещения духовки, поворачивая ее против часовой стрелки, и установите на ее место новую.
4. Установите на место стеклянный плафон.

## 8 Поиск и устранение неисправностей

### Во время работы из духового шкафа выделяется пар.

- Вполне нормально, если пар выделяется во время работы. >>> *Это не является неисправностью.*

### При нагревании и охлаждении прибор издает металлические шумы.

- При нагревании металлические детали могут расширяться и издавать звуки. >>> *Это не является неисправностью.*

### Прибор шкафа не работает.

- Плавкий предохранитель неисправен или сработал. >>> *Проверьте плавкие предохранители в блоке предохранителей. При необходимости замените их или включите.*
- Духовой шкаф не включен в (заземленную) розетку электросети. >>> *Проверьте соединение штепсельной вилки.*

### Освещение духовки не работает.

- Лампочка освещения духового шкафа неисправна. >>> *Замените лампочку освещения шкафа.*
- Нет электропитания. >>> *Проверьте наличие электропитания. Проверьте предохранители в блоке предохранителей. При необходимости замените или включите предохранители.*

### Духовка не нагревается.

- Не задана функция или температура. >>> *Выберите функцию и установите температуру с помощью переключателя функций и (или) регулятора температуры.*
- В моделях, оснащенных таймером, таймер не установлен. >>> *Установите время.* (В моделях с микроволновой печью управление по таймеру действует только для микроволновой печи).
- Нет электропитания. >>> *Проверьте наличие электропитания. Проверьте предохранители в блоке предохранителей. При необходимости замените или включите предохранители.*

### (В моделях с таймером) Цифровой индикатор времени мигает, или светится символ часов.

- Ранее произошло отключение электроэнергии. >>> *Установите время / Выключите духовой шкаф и включите снова.*



Если вы не можете устранить неполадки, несмотря на выполнение инструкций, приведенных в данном разделе, обратитесь к представителю авторизованной сервисной службы. Не пытайтесь самостоятельно отремонтировать неисправный электроприбор.



Изготовитель: «Arcelik A.S.»

Юридический адрес: Караач Джаддеси № 2-6 34445 Сютлюдже Стамбул, Турция  
(Karaağaç Caddesi No:2-6 Sütlüce, 34445, Turkey)

Произведено в Турции

Импортер на территории РФ: ООО «БЕКО»

Юридический адрес: 601021 Россия, Владимирская обл., Киржачский р-н, МОСП Першинское, дер.  
Федоровское, ул. Сельская, д. 49.

Информацию о сертификации продукта Вы можете уточнить, позвонив на горячую линию  
8-800-200-23-56.

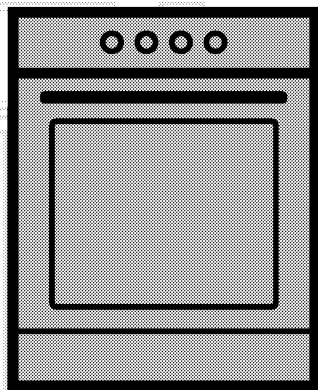
Дата производства включена в серийный номер продукта, указанный на этикетке, расположенной на продукте, а именно: первые две цифры серийного номера обозначают год производства, а последние две – месяц. Например, "10-100001-05" обозначает, что продукт произведен в мае 2010 года.

Изготовитель оставляет за собой право на внесение изменений в конструкцию, дизайн и комплектацию электроприбора.



# Фурна

Ръководство за употреба



BG

**beko**

## Моля, първо прочетете това ръководство за употреба.

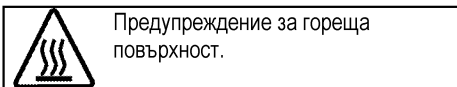
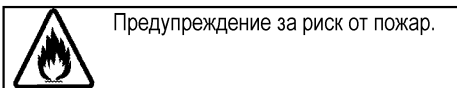
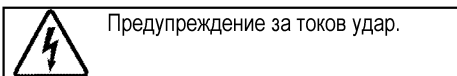
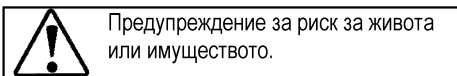
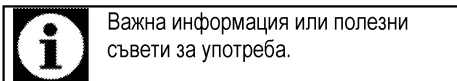
Уважаеми купувачо,

Благодарим ви, че избрахте продукта на фирмата Веко. Надяваме се, че ще получите възможно най-добри резултати от използването на продукта ни, произведен по най-висококачествени и модерни технологии. Затова ви молим да прочетете това ръководство за употреба и всичката го съпътстваща документация внимателно преди да използвате уреда, а след това ги запазете за справка в бъдеще. Ако преотстъпите продукта на друг потребител, то го предайте заедно с ръководството за употреба. Следвайте всички указания и информация в ръководството за употреба.

Помнете, че това ръководство за употреба може да е за няколко модела уреда. Разликите между моделите са уточнени в ръководството.

### Обяснение на символите

В това ръководство са използвани следните символи:



**Arçelik A.Ş.**  
Karaağaç caddesi No:2-6  
34445 Sütlüce/Istanbul/TURKEY  
Made in TURKEY

**1 Важни указания и предупреждения за безопасност и опазване на околната среда 4**

Обща безопасност.....4  
 Електрическа безопасност .....4  
 Безопасност при използването на продукта5  
 Предвидена употреба .....8  
 Безопасност за децата .....8  
 Изхвърляне на остарелия продукт .....8  
 Изхвърляне на опаковъчните материали ...9

**2 Основна информация 10**

Общ преглед.....10  
 Съдържание на пакета .....11  
 Технически спецификации .....12

**3 Монтаж 13**

Преди монтажа .....13  
 Инсталация и свързване .....14  
 Бъдещо транспортиране .....15

**4 Подготовка 17**

Съвети за спестяване на енергия .....17  
 Първо ползване .....17  
 Първоначално почистване на уреда .....17  
 Първоначално загряване .....17

**5 Как да работите с котлона 19**

Обща информация за готвенето ..... 19  
 Използване на котлоните ..... 20

**6 Как да работите с фурната 21**

Основна информация за готвене, печене и грила ..... 21  
 Как да работите с електрическата фурна 22  
 Режими на работа ..... 22  
 Използване на часовника на фурната..... 22  
 Таблица с времето за готвене..... 23  
 Как да работите с грила..... 24  
 Готварска плоча за печене ..... 24

**7 Поддържане и грижа 25**

Обща информация ..... 25  
 Почистване на котлона..... 25  
 Почистване на контролния панел..... 25  
 Почистване на фурната..... 26  
 Сваляне на вратата на фурната ..... 26  
 Сваляне на вътрешното стъкло на вратата26  
 Подмяна на лампата във фурната ..... 27

**8 Отстраняване на повреди 28**

## **1 Важни указания и предупреждения за безопасност и опазване на околната среда**

Този раздел съдържа указания за безопасност, които ще ви помогнат да избегнете риска от нараняване или повреда. Неспазването на тези указания прави всякакви гаранции невалидни.

### **Обща безопасност**

- Уредът може да бъде ползват от деца на 8 и повече години и от лица с понижени физически, сензорни и умствени способности или такива без опит и познания, ако те са надзиравани или инструктирани относно употребата на уреда по безопасен начин и са наясно със свързаните с това рискове. Децата не бива да си играят с уреда. Почистването и потребителската поддръжка не бива да бъдат извършвани от деца без надзор.
- Никога не поставяйте продукта върху покрит с килим под. В шротивен случай, ипсата на въздух под уреда може да доведе до прегряване на електрическите части. Това ще доведе до проблеми с уреда.
- Монтажът и ремонтът на уреда трябва винаги да се извършва

от представители на оторизирания сервиз. Производителят не носи отговорност за щети, причинени от поправка извършена от неоторизирани лица, в който случай гаранцията може да стане невалидна. Преди монтажа прочетете внимателно всички инструкции.

- Не използвайте продукта ако даде дефект или е видимо повреден.
- След всяко ползване проверявайте дали функционалните копчета са изключени.

### **Електрическа безопасност**

- Ако продуктът е повреден, той не бива да се ползва преди да бъде поправен в оторизирания сервиз. Съществува риск от токов удар!
- Свързвайте уреда само към заземен контакт с мощност и защита, посочени в "Технически спецификации" Заземяването трябва да се направи от квалифициран електротехник, като продуктът се ползва със или без трансформатор. Фирмата ни

не носи отговорност за проблеми, произтичащи от неправилно заземяване на уреда.

- Никога не мийте продукта като го поливате или пръскате в вода! Съществува риск от токов удар!
- Продуктът трябва да е изключен по време на монтаж, поддръжка, почистване и ремонт.
- Ако хранващият кабел на уреда е повреден, трябва да се поправи от производителя, негов сервизен представител или квалифициран техник с цел да се избегне всякакъв риск.
- Използвайте само хранващ кабел, отговарящ на характеристиките, посочени в "Технически спецификации".
- Уредът трябва да е монтиран така, че да може напълно да се изключи от мрежата. Разделянето трябва да се осигурява или от щепсел, или от превключвател, монтиран във фиксираната електрическа инсталация, съгласно строителните наредби.
- По време на употреба, задната част на фурната се загорява. Проверете дали електрическата инсталация не

са в контакт със задната повърхност; в противен случай свързките може да се повредят.

- Не заклещвайте хранващия кабел между вратата на фурната и рамката и не го прекарвайте над нагорещените повърхности. В противен случай изолацията на кабела може да се стопи и да предизвика пожар в следствие на късо съединение.
- Всяка манипулация по електрическите съоръжения и системи може да се извършва само от оторизирани и квалифицирани лица.
- В случай на каквато и да е повреда, изключете продукта и го изключете от хранването. За да направите това, изключете бутона вкъщи.
- Проверете дали напрежението на бутона е съвместимо с продукта.

### **Безопасност при използването на продукта**

- Уредът и досегаемите му части се нагряват при употреба. Трябва да се внимава да не се докосват нагрятите елементи. Децата под 8-годишна възраст трябва да се държат далеч от уреда

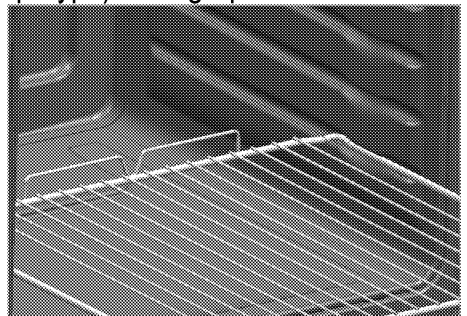
освен ако не са надзиравани постоянно.

- Никога не използвайте продукта ако сте под влиянието на алкохол и/или други опияняващи вещества.
- Внимавайте, когато в съдовете си имате алкохолни напитки. Алкохолът се изпарява при високи температури и може да предизвика пожар при възпламеняване от допира с горещата повърхност.
- Не поставяйте никакви леснозапалими материали в близост до продукта, тъй като може да се нагорещи отстрани по време на употреба.
- Уредът се нагрява по време на употреба. Трябва да се внимава да не се докосват нагревателите вътре във фурната.
- Дръжте всички вентилационни отвори отпушени.
- Не загрявайте затворени консерви и стъклени буркани във фурната. Налягането, което ще възникне в консервата/буркана, може да доведе до пукането му.
- Не поставяйте тави за печене, съдове или алуминиево фолио директно върху дъното на фурната. Акумулирането на

топлина може да повреди дъното на фурната.

- Не използвайте груби абразивни или метални стъргалки за почистване на стъклената врата на фурната тъй като те могат да издраскат повърхността, което от своя страна да доведе до счупване на стъклото.
- Не използвайте парочистачки за почистване на уреда, тъй като това може да предизвика токов удар.
- **Правилно поставяне на телената скара и тава върху етажерката**

Важно е да поставите теления рафт и/или тавата правилно на етажерката. Плъзнете теления рафт или тавата между двете релси и се уверете, че са балансирани преди да поставите храна отгоре (Моля, вижте следващата фигура)./Paragraph





- Не използвайте продукта ако предното стъкло е извадено или напукано.
  - Дръжката на фурната не е сушилня за кърпи. Не увесвайте кърпи, ръкавици и подобни текстилни изделия когато функцията грил работи при отворена врата.
  - Винаги използвайте термоустойчиви ръкавици при поставяне или изваждане на ястия в/от горещата фурна.
  - Преди даподмените лампичката на уреда, се уверете, че той е изключен, за да се избегне риска от токов удар.
  - Безнадзорно готвене с мазнина върху котлона е опасно и може да доведе до пожар. НИКОГА не се опитвайте да изгасите възникнал пожар с водаю вместо това изключете уреда и покрийте пламъка с капак или противопожарно одеало.
  - Опасност от пожар: Не съхранявайте никакви предмети върху готварските повърхности.
  - Ако повърхността е напукана, изключете уреда за да избегнете риска от токов удар.
  - Уредът не е предназначен за работа чрез управление от външен таймер или отделно дистанционно управление.
  - Парното налягане, което се наслабва в следствие на влагата по повърхността на котлона или върху дъното на тенджерата може да накара тенджерата да подскочи. Затова винаги проверявайте дали повърхността на фурната и дъното на тенджерите са сухи.
  - Използвайте само предпазители за котлони, проектирани от производителя на готварския уред или такива, които са указани от производителя в инструкциите за употреба на уреда, или предпазители, вградени в уреда. Употребата на неподходящи предпазители за деца може да доведе до злополука.
- За надеждността на пламъка на продукта;
- Щепселът трябва да е наместен в контакта, така че да не излизат искри.
  - Не използвайте повреден, срязан или удължен кабелю използвайте само оригиналния кабел на уреда.
  - Щепселът не бива да се включва в контакта ако е намокрен или влажен.

## Предвидена употреба

- Този продукт е предвиден за битова употреба. Употребата му за търговски цели не е допустима.
- Този уред е предназначен само за готварски цели. Той не бива да се използва за други цели, като Например отопляване на стаята.
- Продуктът не бива да се ползва за затопляне на чинии под грила, сушене на кърпи, ръкохватки и др. върху дръжките, за сушене или за отопление.
- Производителят не носи отговорност за щети, причинени от неправилна употреба.
- Фурната може да се използва за размразяване и печене на храна.

## Безопасност за децата

- Външните части на уреда може да се нагорещят при употреба. Малките деца трябва да се държат далеч от уреда.
- Опаковъчните материали са опасни за децата. Дръжте далеч от децата опаковъчните материали. Изхвърлете всички части от опаковката по природосъобразен начин.

- Електрическите уреди са опасни за децата. Дръжте децата далеч от уреда по време на работа и не им позволявайте да си играят с него.
- Не поставяйте върху уреда предмети, които децата може да опитат да достигнат.
- Когато вратата е отворена, **не** оставяйте никакви тежки предмети върху нея и **не** позволявайте децата да седат върху нея. Вратата може да се извърне или пантите ѝ да се повредят.

## Изхвърляне на остарелия продукт

### Съвместимост с WEEE Директива за изхвърляне на отпадъчни продукти:



Продуктът отговаря на изискванията на директивата на ЕС за изхвърляне на отпадъчни продукти (2012/19/EU). Този продукт носи класификационен символ за отпадъчно електрическо и електронно оборудване (WEEE). Продуктът е произведен от висококачествени части и материали, които могат да се използват повторно и са

подходящи за рециклиране. Не изхвърляйте уреда заедно с обикновените битови и други отпадъци в края на оперативния му живот. Занесете го в събирателния център за рециклиране на електронно и електрическо оборудване. Обърнете се към местните власти за повече подробности относно тези събирателни центрове.

**Съвместимост с директивата за ограничаване на употребата на определени опасни вещества:**

Закупеният от вас продукт отговаря на изискванията на директивата за ограничаване на употребата на определени опасни вещества на ЕС (2011/65/EU). Той

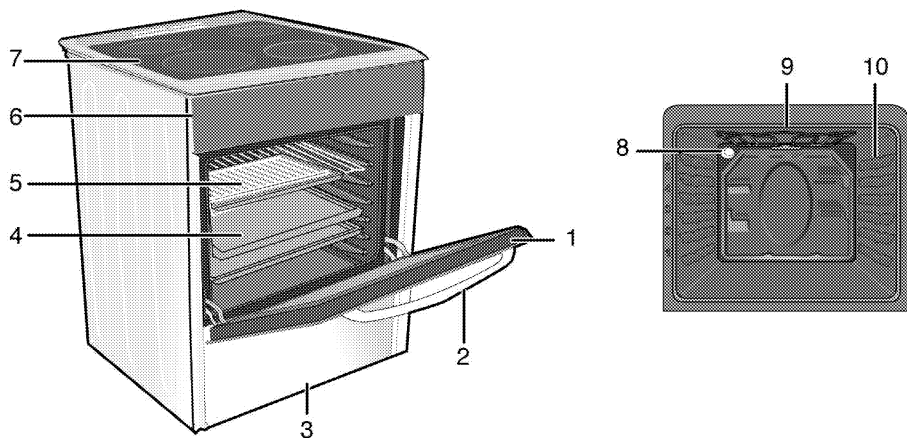
не съдържа никой от вредните и забранени материали, описани в Директивата.

**Изхвърляне на опаковъчните материали**

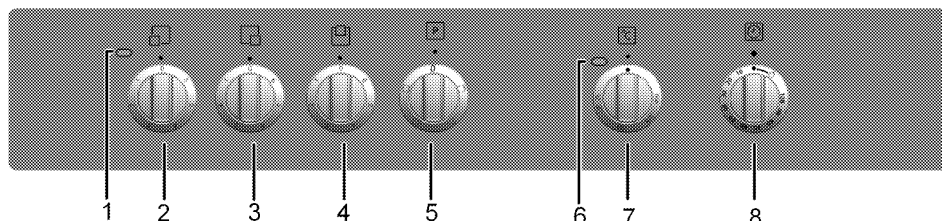
- Опаковъчните материали са опасни за децата. Дръжте опаковъчните материали на безопасно място, извън достъпа на деца. Опаковъчните материали на продукта са изработени от преработваеми материали. Изхвърлете ги по подходящ начин и сортирайте в съответствие с указанията за рециклиране на отпадъци. Не ги изхвърляйте с нормалните битови отпадъци.

## 2 Основна информация

### Общ преглед



- |   |                |    |                      |
|---|----------------|----|----------------------|
| 1 | Предна врата   | 6  | Контролен панел      |
| 2 | Дръжка         | 7  | Плоча на котлон      |
| 3 | Долна част     | 8  | Лампа                |
| 4 | Тава           | 9  | Нагревател на грила  |
| 5 | Метална скарпа | 10 | Положения на скарата |



- |   |   |   |                  |
|---|---|---|------------------|
| 1 | Предупредителна лампа                         | 8 | Механичен таймер |
| 2 | Готварска плоча с един прекъсвач Преден ляв   |   |                  |
| 3 | Готварска плоча с един прекъсвач Преден десен |   |                  |
| 4 | Готварска плоча с един прекъсвач Среден       |   |                  |
| 5 | Селектор за функциите                         |   |                  |
| 6 | Лампа на термостата                           |   |                  |
| 7 | Селектор за термостата                        |   |                  |

## Съдържание на пакета

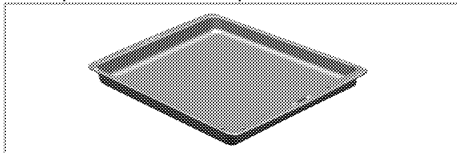


Предоставените аксесоари могат да варират, в зависимост от модела. Вашият продукт може да не е снабден с всички принадлежности, описани в ръководството.

### 1. Ръководство за употреба

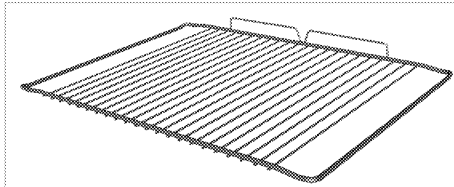
### 2. Тава на фурната

Използва се за баници, замразени храни и големи парчета месо.



### 3. Телен рафт

Използва се за печене и поставяне на храна, която ще се пече в касерол на желания етаж.



## Технически спецификации

<b>ОБЩА ИНФОРМАЦИЯ</b>	
Външни размери (височина/ширина/дълбочина)	850 мм/500 мм/500 мм
Волтаж/честота	220-240V /380-415 V 3N ~ 50 Hz
Обща консумация на енергия	6000 W
Бушон	мин. 16 A x 3 / 25 A
Кабел тип/сечение	H05VV-F 5 x 1,5 мм <sup>2</sup> / 3 x 2,5 мм <sup>2</sup>
Дължина на кабела	макс. 2 м
<b>ПЛОТ</b>	
<b>Горелки</b>	
Преден ляв	<b>Готварска плоча с един прекъсвач</b>
Размер	180 мм
Мощност	1700 W
Преден десен	<b>Готварска плоча с един прекъсвач</b>
Размер	140 мм
Мощност	1200 W
Среден	<b>Готварска плоча с един прекъсвач</b>
Размер	140 мм
Мощност	1200 W
<b>ФУРНА/ГРИЛ</b>	
Основна фурна	<b>Конвенционална фурна</b>
Вътрешна лампа	15-25 W
Енергийна консумация на грила	1500 W

# Базови данни: Информацията върху енергийния етикет на електрическите фурни е дадена в съответствие със стандарт EN 60350-1 / IEC 60350-1. Тези стойности са определени при стандартно натоварване с използване на функции долен-горен нагревател или вентилаторно нагряване (ако има такива).

Класът енергийна ефективност се определя съгласно следните приоритети в зависимост от това дали съответните функции са налични в продукта или не. 1-Готвене с еко вентилатор, 2- Турбо бавно готвене, 3- Турбо готвене, 4- Вентилаторно горно/долно нагряване, 5-Горно и долно нагряване.



Техническите спецификации може да бъдат променени без предупреждение с цел подобряване качеството на продукта.



Стойностите посочени върху етикетите на продукта или в прдружителната документация са получени в лабораторни условия при спазване на съответните стандарти. Тези стойности може да варират в зависимост от условията на работа и околната среда на продукта.



Фигурите в това ръководство са схематични и може да не съвпадат точно с вашия продукт.

### 3 Монтаж

Продуктът трябва да се монтира от квалифициран специалист в съответствие с текущите законови разпоредби. В противен случай гаранцията става невалидна. Производителят не носи отговорност за щети, причинени от поправка извършена от неоторизирани лица, в който случай гаранцията може да стане нева.



Подготовката на мястото и свързването на електричеството продукта са отговорност на клиента.



#### ОПАСНОСТ:

Уредът трябва да бъде монтиран в съответствие с всички местни наредби относно газовите и/или електрически уреди.

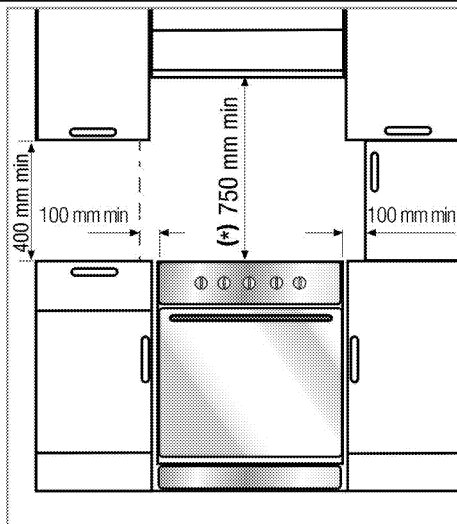


#### ОПАСНОСТ:

Преди монтажа, разгледайте продукта за видими дефекти. Ако има такива, то не го монтирайте.  
Повредените продукти водят до риск за безопасността.

### Преди монтажа

С цел обезопасяване на жизненоважните въздушни отвори отдолу на уреда, препоръчваме уредът да се монтира върху здрава основа, а крачетата да не потъват в килим или друг вид меко покритие на пода. Кухненският под трябва да е способен да издържа теглото на уреда, плюс допълнителното тегло на съдовете за готвене и храната.

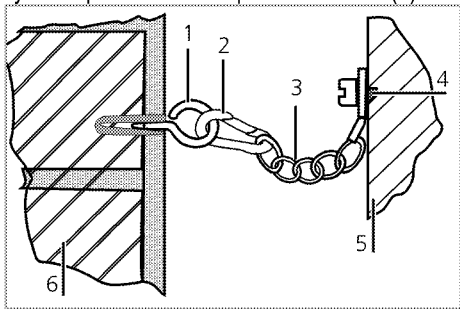


- Може да се използва с шкафове и от двете страни, но за да се осигури минимално разстояние от 400мм над нивото на нагреващата плоча оставете разстояние от 65мм отстрани, между уреда и стени, прегради или високи шкафове.
- Може да се използва и в свободно положение. Оставете минимално разстояние от 750 мм над повърхността на котлоните.
- (\*) Ако над печката ще бъде монтиран абсорбатор, направете справка с указанията на производителя за височината на монтиране (мин 650 мм).
- Уредът отговаря на устройство от клас 1, т.е. може да се постави със задната и **една** от страничните части към стените в кухнята, кухненските шкафове или оборудване с всякакъв размер. Кухненските мебели или оборудване от **другата** страна трябва да е със същия или с по-малък размер.
- Всяка мебелировка, разположена до уреда трябва да бъде топлоустойчива (100 °C мин.).

## Обезопасителна верига

Уредът трябва да се обезопаси срещу свръхбалансиране с помощта на двете вериги, доставени с фурната.

Закачете куката на кухненската стена (1) като използвате подходящ дюбел (6) и свържете обезопасителната верига (3) към куката чрез заключващия механизъм (2).



- 1 Стабилизираща кука
- 2 Заклучващ механизъм
- 3 Обезопасителна верига
- 4 Закачете веригата стабилно към задната част на печката
- 5 Задна част на печката
- 6 Стена в кухнята



Поддържащата верига трябва да е възможно най-къса за да се избегне накланянето на фурната напред и разположена по диагонал за да се избегне накланянето на фурната настрани.

Поддържащата верига за готварски печки не е проектирана с отвор за скоби.

## Инсталация и свързване

Уредът трябва да бъде инсталиран и свързан в съответствие с установените правила за монтажа.



Не монтирайте уреда до хладилници и фризери. Топлината, излъчвана от уреда, ще повиши консумацията на електроенергия на охлаждащите тела.

- Уредът трябва да бъде пренесен от най-малко двама души.

- Уредът трябва да се постави направо върху пода. Не трябва да се поставя върху основа или пиедестал.



Не хващайте за вратата или дръжката при пренасяне на уреда. Това поврежда вратата, дръжката и пантите.

## Свързване към електричеството

Свържете продукта със заземен контакт, защитен с бушон с подходящ капацитет, както е указано в таблица "Технически спецификации". Заземяването трябва да се направи от квалифициран електротехник, като продуктът се ползва със или без трансформатор. Фирмата ни не носи отговорност за щети, причинени от употребата на продукта без направено заземяване на инсталацията в съответствие с местните разпоредби.



### ОПАСНОСТ:

Уредът трябва да бъде свързан към електрическата мрежа от оторизирано и квалифицирано лице. Периодът на гаранцията на уреда започва едва след правилен монтаж. Производителят не носи отговорност за щети, причинени от поправка извършена от неоторизирани лица.



### ОПАСНОСТ:

Захранващият кабел не бива да се защипва, прегъва или да допира горещите части на уреда. Повреденият захранващ кабел трябва да се замени от квалифициран електротехник. В противен случай съществува риск от токов удар, късо съединение или пожар!

Данните на захранването трябва да отговарят на данните, описани върху етикета на уреда. В зависимост от вида на уреда информационната табелка може да се види, когато вратата или долния капак са отворени, както и на задната част на уреда. Захранващият кабел на уреда трябва да отговаря на стойностите в таблица "Технически спецификации".





### ОПАСНОСТ:

Преди да започнете каквато и да е работа по електрическата инсталация, изключете уреда от захранването. Съществува риск от токов удар!

### Свързване на захранващия кабел

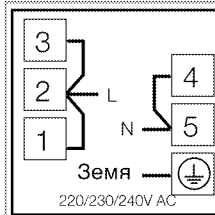
1. Ако с продукта не е доставен захранващ кабел, трябва да изберете захранващ кабел от таблицата (Технически спецификации, стр. 12) в съответствие с електрическата инсталация в дома ви и той трябва да бъде свързан към продукта като следват указанията в диаграмата за кабела.

Не може да разкачите всички полюси на електрозахранването, трябва да свържете дисконектор с поне 3 мм контактно разстояние (бушони, обезопасяващи прекъсвачи, контактори) и всички полюси на дисконектора трябва да са близо до (не над) уреда в съответствие с директивите на ИЕЕ. Неспазването на тези указания може да доведе до проблеми в работата на уреда, както и да направят гаранцията му невалидна.

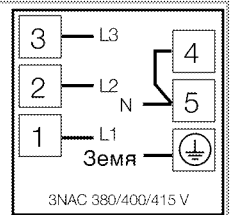


Препоръчва се допълнителна защита чрез прекъсвач на остатъчния ток.

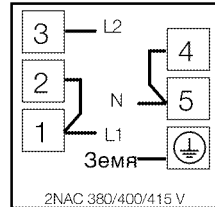
2. Отворете капака на захранващия блок с отвертка.
3. Прекорайте захранващия кабел през скобата за кабела под терминала и закрепете основната част с вградения винт върху скобата.
4. Свържете кабелите според предоставената диаграма.



220/230/240V AC



3NAC 380/400/415 V



2NAC 380/400/415 V

5. След като завършите свързването на жиците, затворете капака на терминала.
6. Прокарайте захранващия кабел така, че да не докосва уреда и да не се заклеци между уреда и стената.



Захранващият кабел не бива да е по-дълъг от 2 м с цел безопасност.

- Бутнете уреда към кухненската стена.
- **Регулиране на крачетата на фурната**  
Вибрациите по време на употреба може да доведат до клатене на готварските съдове. Тези рискови ситуации може да се избегнат с правилно нивелиране и балансиране на уреда.  
С оглед на вашата собствена безопасност се уверете, че уредът е нивелиран като регулирате четирите крачета отдолу като ги завъртите наляво или надясно и ги подравните с работния плот.

### Финална проверка

1. Свържете уреда отново към захранването.
2. Проверете електрическите функции.

### Бъдещо транспортиране

- Запазете оригиналния кашон на продукта и го пренесайте в него. Следвайте указанията върху кашона. Ако не сте запазили оригиналния кашон,

опаковайте уреда в найлон с мехурчета и го залепете плътно.

- За да предпазите телената скара и тавата да не повредят вратата, поставете картонена лента от вътрешната част на вратата, така че да се изравни с положението на тавите. Залепете вратата на фурната към страничните стени.

- Не хващайте за вратата или дръжката при пренасяне на уреда.



Не поставяйте никакви предмети върху продукта и го пренасяйте в исправено положение.



Огледайте продукта отън за евентуални повреди при пренасянето.

## 4 Подготовка

### Съвети за спестяване на енергия

Следващата информация ще ви помогнат да използвате електроуреда по екологичен начин и да спестявате електроенергия:

- Използвайте тъмно оцветени и емайлирани покрития на съдовете за печене, тъй като те предават по-добре топлината.
- Ако в ръководството за употреба или в рецептата се препоръчва да извършите операцията подгряване докато пригответе ястията си, тогава я направете.
- Не отваряйте често вратата на фурната по време на готвене.
- Ако е възможно пригответе едновременно повече от едно ястие във фурната. Може да готвите като поставите два съда върху телената скара.
- Пригответе повече ястия едно след друго. Фурната вече ще е нагорещена.
- Можете да спестите енергия като изключите фурната няколко минути преди края на времето за готвене. Не отваряйте вратата на фурната.
- Размразете замразените храни преди да ги сготвите.
- За готвене използвайте съдове с капацитет. Ако готвите без капак, консумацията на енергия се увеличава до 4 пъти.
- Изберете горелката, която е най-подходяща за размера на дъното на съда, който използвате. Винаги избирайте подходящия размер тенджерата за яденето, което ще пригответе. По-големите тенджери харчат повече енергия.
- При готвене на електрически котлони дъното на съдовете трябва да е равно. Тенджерите с дебело дъно осигуряват по-добър топлообмен. Може да спестите до 1/3 електроенергия.

- Съдовете и тенджерите, които използвате, трябва да са съвместими с котлоните. Дъното на съдовете или тенджерите трябва да е по-малко от котлона.
- Поддържайте зоните за готвене и дъното на тенджерите чисти. Наслаганията от мръсотия намаляват проводимостта между зоните за готвене и дъното на тенджерата.
- При по-продължително готвене, изключете зоната за готвене 5-10 минути преди края на времето за готвене. Може да спестите до 20% електроенергия при ползване на остатъчната топлина.

### Първо ползване

#### Първоначално почистване на уреда



Повърхността може да се повреди от някои почистващи препарати и материали.

Не използвайте агресивни почистващи препарати, прахообразни/кремообразни препарати или остри предмети при почистването.

1. Премахнете всички опаковъчни материали.
2. С мокър парцал или гъба забършете всички повърхности и подсушете.

#### Първоначално загряване

Загрейте уреда за около 30 минути и след това го изключете. По този начин всякакви утайки и наслагвания, останали от процеса на производство, ще бъдат премахнати.



### ПРЕДУПРЕЖДЕНИЕ

Горещите повърхности могат да причинят изгаряния!

Уредът може да е горещ по време на употреба. Никога не пипайте горещите горелки, вътрешните части на фурната, загряващите елементи и т.н. Дръжте децата надалеч.

Винаги използвайте термоустойчиви ръкавици при поставяне или изваждане на ястия в/от горещата фурна.

### Електрическа фурна

1. Извадете от фурната всички тави и телената скара.
2. Затворете вратата на фурната.
3. Изберете позиция "Статично".
4. Изберете най-високата мощност на грила; Виж *Как да работите с електрическата фурна, стр. 22*
5. Пуснете фурната за около 30 минути.

6. Изключете фурната; Виж *Как да работите с електрическата фурна, стр. 22*

### Грил-фурна

1. Извадете от фурната всички тави и телената скара.
2. Затворете вратата на фурната.
3. Изберете най-високата мощност на грила; виж *Как да работите с грила, стр. 24*
4. Пуснете фурната за около 30 минути.
5. Изключете грила; виж *Как да работите с грила, стр. 24*



По време на първата употреба за няколко часа могат да възникнат дим и миризма. Това е съвсем нормално.

Стаята трябва да е с добра вентилация за да се премахне пушека и миризмата. Избягвайте директно вдишване на излизация пушек и миризма.

## 5 Как да работите с котлона

### Обща информация за готвенето



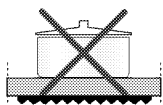
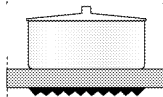
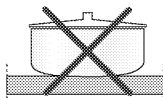
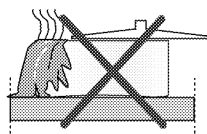
Никога не пълнете тигана с олио над 1/3 от обема му. Не оставяйте котлона без наблюдение когато нагривате олио. Пренагрятата мазнина води до риск от пожар. **Никога не опитвайте да потушите евентуално възникнал пожар с вода!** Ако олиот се подпали, го покрийте с противопожарно одеало или влажен парцал.. Изключете котлона ако това не представлява опасност и се обадете в пожарната.

- Преди пържене на хранителни продукти, винаги ги подсушавайте добре и ги поставяйте внимателно в нагорещената мазнина. Замразените храни трябва да се размразят напълно преди пържене.
- Не покривайте съда в който загривате олио.
- Поставяйте тиганите и тенджерите по такъв начин, че дръжките им да не изложени на горещината от котлона. Не поставяйте небалансирани и лесно накланящи се съдове върху котлона.
- Не поставяйте празни съдове и тенджери във включените зони за готвене. Това може да ги повреди.
- Пускането на зона за готвене без поставяне на съд или тенджера отгоре ще повреди уреда. Изключете зоните за готвене след приключване на готвенето.
- Не поставяйте пластмасови и алуминиеви съдове върху уреда тъй като повърхността му може да бъде нагорещена. Разтопени вещества от такъв вид трябва да се почистват незабавно. Тези съдове не бива да се използват и за съхранение на храна.
- Използвайте само тенджери и съдове с плоско дъно.

- Поставяйте съразмерно количество ядене в тенджерите и тиганите. По този начин ще си спестите излишното чистене на преляло ядене. Не поставяйте капациите на тенджерите и тиганите в зоните за готвене. Поставяйте тенджерите така, че да са центрирани върху зоните за готвене. Ако желаете да преместите тенджерата върху друга зона за готвене, я повдигнете и преместете вместо да я плъзгате.

### Съвети за стъклокерамичните котлони

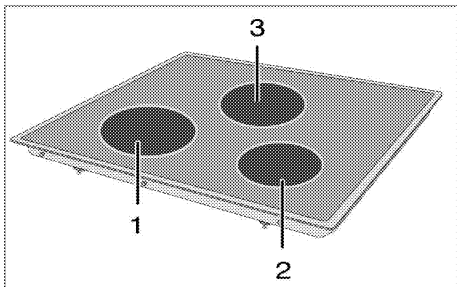
- Стъклокерамичната повърхност е топлоустойчива и не се влияе от големи температурни разлики
- Не използвайте стъклокерамичната повърхност като място за съхранение на продукти или като дъска за рязане.
- Използвайте само тенджери и тигани с равни дъна. Острите ръбове издраскват повърхността.
- Не използвайте алуминиеви съдове и тенджери. Алуминият поврежда стъклокерамичната повърхност.



Разлятото ядене може да повреди стъклокерамичната повърхност и да предизвика пожар. Не използвайте съдове с вдлъбнато или изпъкнало дъно.

Използвайте само тенджери и тигани с равни дъна. Те осигуряват по-добър топлообмен. Ако диаметърът на тенджерата е втръде малък се похабява енергия.

## Използване на котлоните



- 1 Готварска плоча с един прекъсвач 18-20 см
- 2 Готварска плоча с един прекъсвач 14-16 см
- 3 Готварска плоча с един прекъсвач 14-16 см е списък на препоръчителните диаметри на съдовете, които следва да бъдат използвани със съответните котлони.



### ОПАСНОСТ:

Внимавайте върху плочата да не падат предмети. Дори малки предмети от рода на солница могат да я повредят. Не използвайте плочата ако е напукана. Водата може да протече през тези пукнатини и да предизвика късо съединение. В случай на видима повреда на повърхността (напр. видими пукнатини), изключете незабавно уреда за да намалите до минимум риска от токов удар.

### Включване на стъклокерамичните зони за готвене

Използвайте копчетата на зоните за готвене за да включите стъклокерамичните зони за готвене. Завъртете копчето на зоната за готвене на съответното ниво за да включите желаното ниво за готвене.

Ниво на готвене	1	2 — 3	4 — 6
	загряване	задушаване, готвене	готвене, пържене

### Изключване на стъклокерамичните зони за готвене

Завъртете копчето на котлона на най-горната позиция (изключено).

## 6 Как да работите с фурната

### Основна информация за готвене, печене и грила



#### ПРЕДУПРЕЖДЕНИЕ

Горещите повърхности могат да причинят изгаряния!  
Уредът може да е горещ по време на употреба. Никога не пипайте горещите горелки, вътрешните части на фурната, загреващите елементи и т.н. Дръжте децата надалеч.  
Винаги използвайте термоустойчиви ръкавици при поставяне или изваждане на ястия в/от горещата фурна.



#### ОПАСНОСТ:

Внимавайте при отваряне на вратата, възможно е бълване на гореща пара. Излизащата пара може да опари ръцете, лицето и/или очите ви.

#### Съвети при печене

- Използвайте подходящи метални съдове с незалепващо покритие, алуминиеви контейнери или топлоустойчиви силиконови формички.
- Използвайте възможно най-добре пространството върху поставката.
- Поставете формата за печене по средата на рафта.
- Преди да пуснете фурната или грила, изберете правилната позиция на рафта. Не променяйте позицията на рафта докато фурната е гореща.
- Дръжте вратата на фурната затворена.

#### Съвети за изпичане

- Обработването на пилета, пуйки и едри парчета месо с лимонов сол, черен пипер и други подобни преди готвенето подобряват печенето.
- Печенето на месо с костите отнема около 15 до 30 минути повече отколкото същото количество обезкостено месо.
- Всеки сантиметър от дебелината на месото отнема приблизително 4 до 5 минути печене.

- Оставете месото във фурната за около 10 минути след като го пригответе. Сокол се разпределя по-добре по цялото печено месо и не потича, когато го разрязвате.
- Рибата трябва да се постави в средата на долния рафт в термоустойчив съд.

#### Съвети за запичане

Когато месото, рибата или пилешкото се запичат, те бързо потъмняват, имат хубава коричка и не се изсушават. Пържоли, шишчета и наденички са особено подходящи за печене на грил, както и зеленчуци с високо водно съдържание като напр. домати и лук.

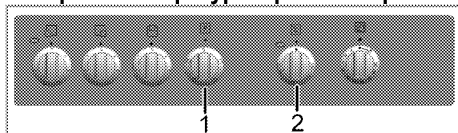
- Разпределете парчетата, които ще печете върху теления грил или в тавата за печене с теления грил като заетото пространство не бива да ревишава размера на нагревателя.
- Плъзнете теления грил или тавата с грила на желаното ниво на фурната. Ако печете върху теления грил, плъзнете тавата на долния рафт за да събира мазнината. За по-лесно почистване добавете вода в тавата за мазнината.



Неподходящи за печене на грил храни водят до опасност от пожар. За печене на грил използвайте само храна, която е подходяща за излагане на интензивно печене. Не поставяйте храната много навътре в задната част на грила. Това е най-горещият сектор и мазната храна може да се възпламени.

## Как да работите с електрическата фурна

### Избор на температура и режим на работа



- 1 Селектор за функциите
  - 2 Селектор за термостата
1. Настройте таймера на фурната на желаното време за готвене; виж *Използване на часовника на фурната, стр. 22*
  2. Настройте копчето за температурата на желаната температура.
  3. Настройте копчето за функциите на желания режим на работа.  
» Фурната се загрява до настроената температура и я поддържа. През време на нагряването, лампата на температурата остава включена.

### Изключване на електрическата фурна

Преместете таймера на фурната на изключено положение.



Докато таймерът е настроен на определен период от време, той ще се изключи автоматично; виж *Използване на часовника на фурната, стр. 22*

Завъртете копчетата за функциите и термостата в изключена позиция (горе).

### Режими на работа

Показаният тук ред на оперативните режими може да се различава от подредбата върху вашия уред.

### Горен и долен нагревател



Горният и долен нагревател работят. Яденето се загрява едновременно отгоре и отдолу. Например е подходящо за кексове, баници или кексове и касероли във форми за печене. Печете само една тава.

### Горен нагревател



Работи само горният нагревател. Подходящо е например за кексове с блестяща повърхност и ястия, които желаете да се запекат отгоре.

### Долно нагряване



Работи само долното нагряване. Подходящо е за пица и за постепенно запичане на ястието отдолу.

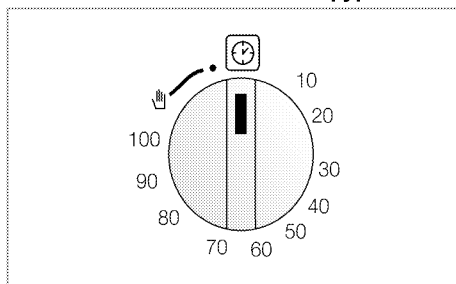
### Цял грил



Големият грил на тавана на фурната работи. Подходящ е за препичане на големи количества месо.

- За запичане, поставете среден или голям размер порции на правилно позиционирания рафт, под нагревателя на грила.
- Настройте температурата на максимално ниво.
- Обърнете храната, след като изтече половината от времето за запичане.

### Използване на часовника на фурната



### Стартиране на готвенето



За да използвате фурната, трябва да изберете режим на готвене и желаната температура и да настроите времето. В противен случай фурната няма да работи.



1. Завъртете копчето за регулиране на времето по посока на часовниковата стрелка за да настроите времето на готвене.
2. Поставете ястието във фурната.
3. Изберете работен режим и температура; виж *Как да работите с електрическата фурна, стр. 22.*

» Фурната ще се нагрява до настроената температура и ще поддържа тази температура до края на избрания период за готвене.

4. След като времето за готвене приключи, копчето за настройка на времето автоматично ще се завърти обратно на часовниковата стрелка. Предупредителен звуков сигнал показва, че зададеното време е изтекло и че захранването е прекъснато.

**i** Ако не желаете да използвате функция таймер, завъртете селектора обратно на часовниковата стрелка до символ „ръка“.

5. Изключете фурната с помощта на копчето за температурата и копчето за функциите.

### Изключване на фурната преди настроеното време

1. Завъртете копчето за настройка на времето обратно на часовниковата стрелка докато спре.
2. Изключете фурната с помощта на копчето за функциите и копчето за температурата.

### Таблица с времето за готвене

**i** Времетраенето в тази таблица са с ориентировъчна цел. В действителност времетраенето може да варира в зависимост от храната, дебелината, типа и предпочитанията ви на готвене.

### Печене и запичане

**i** Първото ниво на фурната е **долното**.

Ястие	Съд за готвене	Позиция на рафта	Температура (°C)	Време на готвене (приблиз. в мин.)
Кексове в тава	Тава 24 ... 26 см	3	170 ... 180	25 ... 35
Кексове във форма	Форма за хляб 18... 22 см	3	170 ... 180	35 ... 45
Сладки	Тава на фурната	3	170 ... 190	25 ... 35
Бутерки от многолистно тесто	Тава на фурната	3	180 ... 190	25 ... 35
Понички	Тава на фурната	3	160 ... 180	25 ... 35
Баници	Тава на фурната	3	200	40 ... 50
Мая	Тава за печене	3	200	35 ... 45
Мазна баница	Тава на фурната	3	180 ... 190	25 ... 35
Тесто за сладки	Тава на фурната	3	180 ... 190	40 ... 50
Лазаня	Дълбока тава	3	170 ... 180	40 ... 50
Пица	Тава на фурната	3	200 ... 220	15 ... 20
Стек	Тава на фурната	3	15 мин. 250/макс *	110 ... 120
Агнешки бут	Тава на фурната	3	15 мин. 250/макс *	70 ... 90
Печено пиле	Тава на фурната	3	15 мин. 250/макс *	60 ... 70
Пуйка (5.5 кг)	Тава на фурната	3	25 мин. 220 *	180 ... 240
Риба	Тава на фурната	3	200	15 ... 25
			* след това 150	

## Как да работите с грила



### ПРЕДУПРЕЖДЕНИЕ

По време на печенето затворете вратата на фурната.  
Горещите повърхности могат да причинят изгаряния!

- **Завъртете копчето за регулиране на времето обратно на часовниковата стрелка към символ "Ръка" при използване на грила.**

### Включване на грила

1. Завъртете копчето за функциите до желания символ грил.
2. След това изберете желаната температура за печене на грил.
3. При необходимост, извършете предварително загревяне за 5 минути.  
» Лампичката за температурата светва.

### Печене с електрически грил

Храна	Включване на ниво	Време на печене (приблизително)
Риба	3..4	20..25 мин. #
Нарязано пиле	3..4	15..20 мин.
Агнешки котлет	3..4	12..15 мин.
Говеждо печено	3..4	15..25 мин. #
Телешки котлети	3..4	15..25 мин. #

# в зависимост от дебелината

### Изключване на грила

1. Завъртете функционалното копче в изключена позиция (горе).



Неподходящи за печене на грил храни водят до опасност от пожар.  
За печене на грил използвайте само храна, която е подходяща за излагане на интензивно печене.  
Не поставяйте храната много навътре в задната част на грила.  
Това е най-горещият сектор и мазната храна може да се възпламени.

### Готварска плоча за печене

## 7 Поддържане и грижа

### Обща информация

Оперативният живот на уреда ще се удължи, а често срещаните проблеми ще намалееят ако уредът се почиства редовно.



#### ОПАСНОСТ:

Изключете уреда от захранването при почистване и поддръжка.  
Съществува риск от токов удар!



#### ОПАСНОСТ:

Преди да почистите уреда, го оставете да изстине.  
Горещите повърхности могат да причинят изгаряния!

- След всяко ползване почиствайте уреда добре. По този начин всякакви остатъци от готвенето се почистват по-лесно и се избягва изгарянето им при следващото ползване на уреда.
- За почистването на уреда не са необходими специални почистващи препарати. Използвайте хладка вода и измивен препарат, мек парцал или гъба за почистване на фурната и я забършете със сух парцал.
- Внимавайте излишната вода да бъде добре подсушена след почистването, а всякакви разляти течности незабавно да бъдат подсушавани.
- Не използвайте почистващи вещества, съдържащи киселина или хлор за почистване на неръждаемото покритие и дръжката. Използвайте мек парцал с течен препарат (неабразивен) за да забършете тези части, като внимавате да забърсвате в една посока.



Повърхността може да се повреди от някои почистващи препарати и материали.

Не използвайте агресивни почистващи препарати, прахообразни/кремообразни препарати или остри предмети при почистването.



Не използвайте парочистачки за почистване на уреда, тъй като това може да предизвика токов удар.

### Почистване на котлона

#### Стъклокерамични повърхности

Забършете стъклокерамичната повърхност с помощта на навлажнена със стъдена вода парцал по такъв начин, че по нея да не остават следи от измивния препарат.

Подсушете с мек сух парцал. Остатъкният материал може да повреди

стъклокерамичната повърхност при следващото ползване на котлоните.

Засъхналите остатъци по

стъклокерамичната повърхност в никакъв случай не бива да се чегъртат с остри четки, стоманена тел и подобни.

Калциевите петна (жълти на цвят) се премахват с малко количество оцет или лимонов сок. Можете също така да ползвате подходящи за целта препарати.

Ако повърхността е силно замърсена, нанесете почистващият препарат с гъба и изчакайте да попие добре. След това почистете повърхността на плота с влажен парцал.



Храни на захарна основа като гъста сметана и сироп трябва да бъдат почистени бързо преди повърхността да се охлади. В противен случай рискувате стъклокерамичната повърхност да се повреди перманентно.

Повърхностното покритие може да се обезцвети леко с течение на времето. Това не се отразява на работата на продукта.

Обезцветяването и петната по стъклокерамичната повърхност са нормално явление, а не дефект.

#### Почистване на контролния панел

Почистете контролния панел и копчетата с влажен парцал и подсушете.



Не сваляйте бутоните/копчетата за да почистите контролния панел.  
Това може да повреди контролния панел!

## Почистване на фурната

### Почистване на вратата на фурната

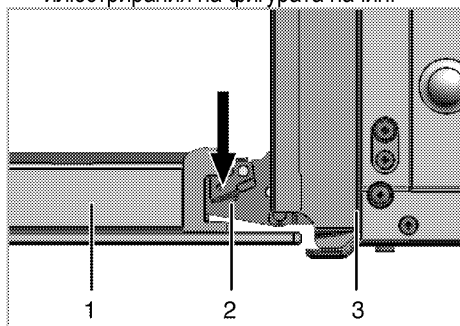
За почистване на вратата на фурната, използвайте хладка вода и измивен препарат, мек парцал или гъба за почистване на уреда и после забършете със сух парцал.



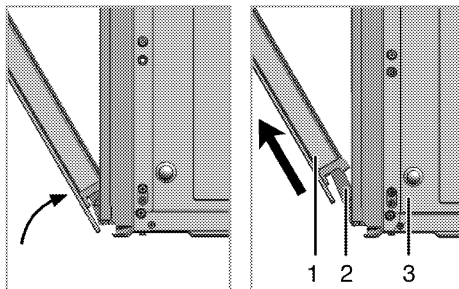
Не използвайте никакви груби абразивни почистващи материали или остри метални стъргалки за почистване на вратата на фурната. Те може да издраскат повърхността и да повредят стъклото.

### Сваляне на вратата на фурната

1. Отворете предната врата (1).
2. Отворете скобите върху гнездата на пантите (2) отляво и отдясно на предната врата, като ги натиснете надолу по илюстрирания на фигурата начин.



- 1 Предна врата
- 2 Панта
- 3 Фурна



3. Преместете предната врата до половината.
4. Премахнете предната врата като я издърпате нагоре, докато се освободи от лявата и дясната панта.

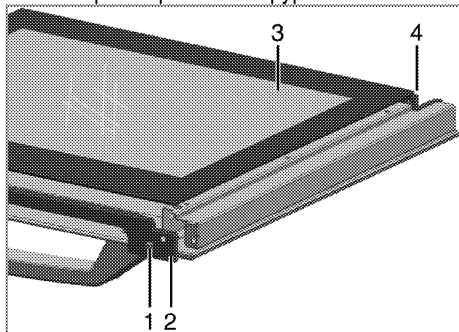


Стъпките, изпълнени при свалянето на вратата се извършват в обратен ред за да я монтирате. Не забравяйте да затворите скобите върху гнездото на пантата, когато поставяте вратата отново.

### Сваляне на вътрешното стъкло на вратата

Вътрешния стъклен панел на вратата на фурната може да се маха за почистване.

1. Отворете вратата на фурната.



- 1 Винт
  - 2 Пластмасов профил
  - 3 Вътрешен стъклен панел
  - 4 Пластмасов прорез
2. Извадете винта (1) с отверка
  3. Извадете профила (2), прикрепен към вътрешното стъкло (3).
  4. След това сглобете вратата отново, поставете вътрешната стъклена рамка (3)

в пластмасовите отвори (4) и сглобете профила.

## Подмяна на лампата във фурната



### ОПАСНОСТ:

Преди да подмените лампата във фурната, уредът трябва да е изключен от захранването и охладен за да се избегне риск от токов удар.

Горещите повърхности могат да причинят изгаряния!



Лампата във фурната е специална електрическа крушка, която издържа на температура до 300 °С. За повече детайли виж *Технически спецификации, стр. 12*. Можете да се сдобие с лампи за фурната от оторизиран сервизен агент.



Позицията на лампата може да се различава от фигурата.



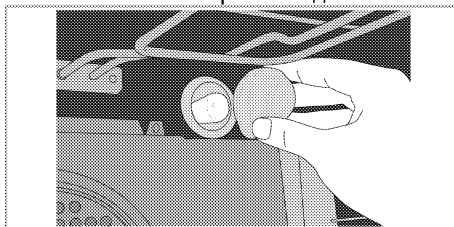
Лампата, която се използва в този уред не е подходящ за осветление на битови стая. Предназначението на тази лампа е да помогне на потребителя да види храните.



Лампите използвани в този уред, трябва да издържат на екстремни физически условия като температура над 50 °С.

### Ако фурната ви е оборудвана с кръгла лампа:

1. Изключете уреда от захранването.
2. Завъртете стъкления капак обратно на часовниковата стрелка за да го свалите.



3. Развийте лампата на фурната като завъртите обратно на часовниковата стрелка и я подмените с нова.
4. Монтирайте обратно стъкления капак.

## 8 Отстраняване на повреди

### Фурната изпуска пара при употреба.

- Нормално е да излиза пара по време на работа. >>> *Това не е повреда.*

### Уредът издава металически звуци при загряване и охлаждане.

- Когато металните части се загряват, може да се разширят и да предизвикат шум. >>> *Това не е повреда.*

### Уредът не работи.

- Бушонът е дефектен или се е изключил. >>> *Проверете предпазителите в електрическата кутия. Ако е необходимо ги сменете или ги пренастройте.*
- Уредът не е включен в (заземен) контакт. >>> *Проверете контакта.*

### Лампата във фурната не работи.

- Лампата на фурната е дефектна. >>> *Подменете лампата на фурната.*
- Токът е спрял. >>> *Проверете има ли ток. Проверете предпазителите в електрическата кутия. Ако е необходимо ги сменете или ги пренастройте.*

### Фурната не се загрява.

- Няма настроени функция и/или температура. >>> *Настройте функцията и температурата с копчето за функциите и/или копчето за температурата.*
- При модели, оборудвани с таймер, таймерът не е настроен. >>> *Настройте часа. (При продукти съдържащи микровълнова фурна, таймерът контролира само микровълновата фурна.)*
- Токът е спрял. >>> *Проверете има ли ток. Проверете предпазителите в електрическата кутия. Ако е необходимо ги сменете или ги пренастройте.*

### (При модели с таймер) Дисплеят на часовника мига или часовниковият символ е включен.

- Имало е прекъсване на тока. >>> *Настройте часа / Изключете уреда и го включете отново.*



Ако въпреки, че сте изпълнили указанията от този раздел не можете да решите проблема, се консултирайте с представител на оторизирания сервис или магазина, от който сте закупили уреда. Нкога не се опитвайте сами да поправите неизправния уред.



