

Oven

User Manual

Плита

Руководство
пользователя

Духова шафа

Посібник користувача

Please read this manual first.

Dear Customer,

We would like you to obtain the best performance from your product which has been manufactured in modern facilities and under strict quality control procedures.

Therefore, we advise you to read through this User Manual carefully before using your product and keep it for future reference. If you hand over the product to someone else, deliver the User Manual as well.

The User Manual will help you use the product in a fast and safe way.

- Read the User Manual before installing and operating the product.
 - You must strictly observe the safety instructions.
 - Keep this User Manual within easy reach for future reference.
 - Also read other documents supplied with the product.
- Remember that this User Manual may also be applicable for several other models. Differences between models are explicitly identified in the manual.

Explanation of symbols

Throughout this User Manual the following symbols are used:



Important information or useful hints about usage.



Warning for hazardous situations with regard to life and property.



Warning for electric shock.



Warning for risk of fire.



Warning for hot surfaces.

Arçelik A.Ş.

Karaağaç caddesi No:2-6
34445 Sülüce/Istanbul/TURKEY

Made in TURKEY

TABLE OF CONTENTS

1 General information **4**

Overview	4
Technical specifications	5
Package contents	5
Injector table	6

2 Important safety instructions **7**

General safety	7
Safety when working with gas	7
Intended use	8
Safety for children	9

3 Installation **10**

Before installation	10
Installation and connection	11
Gas conversion	12
Disposal	14
Package information	14
Future Transportation	14
Disposing of the old product	14

4 Preparation **15**

Tips for saving energy	15
Initial use	15

First cleaning of the appliance	15
Initial heating	15

5 How to use the hob **16**

General information about cooking	16
Using the hobs	16

6 How to operate the oven **18**

General information on baking, roasting and grilling	18
How to use the gas oven	18
Cooking times table	19

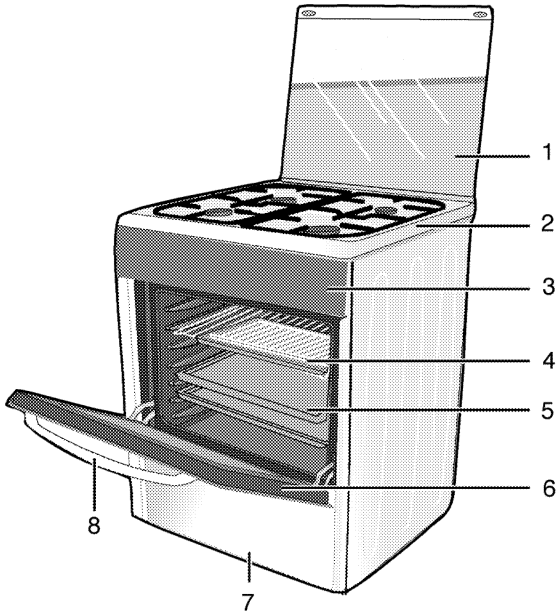
7 Maintenance and care **20**

General information	20
Cleaning the hob	20
Cleaning the control panel	20
Cleaning the oven	20
Removing the oven door	21
Removing the door inner glass	21

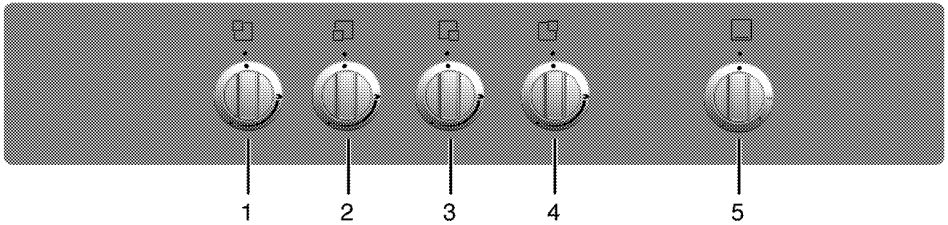
8 Troubleshooting **22**

1 General information

Overview



- | | | | |
|---|---------------|---|------------|
| 1 | Top lid | 5 | Tray |
| 2 | Burner plate | 6 | Front door |
| 3 | Control panel | 7 | Lower part |
| 4 | Wire shelf | 8 | Handle |



- | | | | |
|---|------------------------------|---|--------------------------|
| 1 | Normal burner Rear left | 4 | Normal burner Rear right |
| 2 | Rapid burner Front left | 5 | Oven knob |
| 3 | Auxiliary burner Front right | | |

Technical specifications

GENERAL	
External dimensions (height / width / depth)	850 mm/500 mm/600 mm
Category of gas product	II 2H3B/P
Gas type / pressure	NG G 20/20 mbar
Total gas consumption	10.4 kW
Converting the gas type / pressure ^S – optional	NG G 20/13 mbar NG G 20/10mbar - LPG G 30/30 mbar
HOB	
Burners	
Rear left	Normal burner
Power	2 kW
Front left	Rapid burner
Power	2.9 kW
Front right	Auxiliary burner
Power	1 kW
Rear right	Normal burner
Power	2 kW
OVEN/GRILL	
Main oven	Gas oven
Gas consumption of oven	2.5 kW



Technical specifications may be changed without prior notice to improve the quality of the product.



Figures in this manual are schematic and may not exactly match your product.



Values stated on the product labels or in the documentation accompanying it are obtained in laboratory conditions in accordance with relevant standards. Depending on operational and environmental conditions of the product, these values may vary.

Package contents

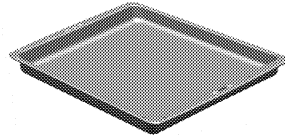


Accessories supplied can vary depending on the product model. Not every accessory described in the user manual may exist on your product.

User manual

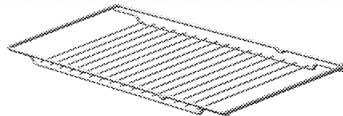
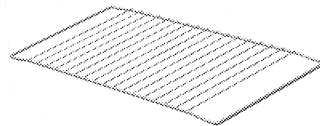
Oven tray

Used for pastries, frozen foods and big roasts.



Wire Shelf

Used for roasting and for placing the food to be baked, roasted or cooked in casserole dishes to the desired rack.



Injector table

Position hob zone	2 kW Rear left	2.9 kW Front left	1 kW Front right	2 kW Rear right
Gas type / Gas pressure				
G 20/10 mbar	125	155	90	125
G 20/13 mbar	116	145	84	116
G 20/20 mbar	103	115	72	103
G 30/28-30 mbar	72	87	50	72
Gas type / Gas pressure	Gas oven			
G 20/10 mbar	130			
G 20/13 mbar	128			
G 20/20 mbar	115			
G 30/28-30 mbar	73			

2 Important safety instructions

This section contains safety instructions that will help you avoid risk of injury and damage. All warranties will become void if you do not follow these instructions.

General safety

- This product is not intended to be used by persons with physical, sensory or mental disorders or unlearned or inexperienced people (including children) unless they are attended by a person who will be responsible for their safety or who will instruct them accordingly for use of the product.
Children must be supervised to prevent them from tampering with the product.
- Connect the product to an earthed outlet/line protected by a fuse of suitable capacity as stated in the "Technical specifications" table. Have the earthing installation made by a qualified electrician while using the product with or without a transformer. Our company shall not be liable for any problems arising due to the product not being earthed in accordance with the local regulations.
- If the supply cord is damaged, it must be replaced by the manufacturer, its service agent or similarly qualified persons in order to avoid a hazard.
- Do not operate the product if it is defective or has any visible damage.
- Do not carry out any repairs or modifications on the product. However, you may remedy some troubles that do not require any repairs or modifications. See *Troubleshooting, page 22*.
- Never wash down the product with water! There is the risk of electric shock!
- Never use the product when your judgment or coordination is impaired by the use of alcohol and/or drugs.
- Product must be disconnected from the mains during installation, maintenance, cleaning and repair procedures.

- Be careful when using alcoholic drinks in your dishes. Alcohol evaporates at high temperatures and may cause fire since it can ignite when it comes into contact with hot surfaces.
- Do not heat closed tins and glass jars in the oven. The pressure that would build-up in the tin/jar may cause it to burst.
- Do not place any flammable materials close to the product as the sides may become hot during use.
- Do not place baking trays, dishes or aluminium foil directly onto the bottom of the oven. The heat accumulation might damage the bottom of the oven.
- Keep all ventilation slots clear of obstructions.
- Product may be hot when it is in use. Never touch the hot burners, inner sections of the oven, heaters and etc.
- Always use heat resistant oven gloves when putting in or removing dishes into/from the hot oven.
- Do not use the product with front door glass removed or cracked.
- Rear surface of the oven gets hot when it is in use. Make sure that the gas/electrical connection does not contact the rear surface; otherwise, connections can get damaged.
- Do not trap the mains cable between the oven door and frame and do not route it over hot surfaces. Otherwise, cable insulation may melt and cause fire as a result of short circuit.
- Make sure that the product function knobs are switched off after every use.

Safety when working with gas

- Any works on gas equipment and systems may only be carried out by authorised qualified persons who are Gas Safe registered.
- "Prior to the installation, ensure that the local distribution conditions (nature of the

gas and gas pressure) and the adjustment of the appliance are compatible."

- "This appliance is not connected to a combustion products or evacuation device. It shall be installed and connected in accordance with current installation regulations. Particular attention shall be given to the relevant requirements regarding ventilation;" See *Before installation, page 10*
- "CAUTION: The use of gas cooking appliance results in the production of heat and moisture in the room in which it is installed. Ensure that the kitchen is well ventilated: keep natural ventilation holes open or install a mechanical ventilation device (mechanical extractor hood). Prolonged intensive use of the appliance may call for additional ventilation, for example increasing the level of the mechanical ventilation where present."
- Gas appliances and systems must be regularly checked for proper functioning. Regulator, hose and its clamp must be checked regularly and replaced within the periods recommended by its manufacturer or when necessary.
- Clean the gas burners regularly. The flames should be blue and burn evenly.
- Good combustion is required in gas appliances. In case of incomplete combustion, carbon monoxide (CO) might develop. Carbon monoxide is a colourless, odourless and very toxic gas, which has a lethal effect even in very small doses.
- Request information about gas emergency telephone numbers and safety measures in case of gas smell from you local gas provider.

What to do when you smell gas



DANGER

Risk of explosion and poisoning!

Put out all naked flames and do not smoke, strike matches or do anything that could cause ignition.

Do not operate any electric switches (e.g. light switch, TV, computer, cooker or door bell).

Do not use a telephone or mobile phone.

1. Turn off all valves on gas appliances and gas meter at the main control valve, unless it's in a confined space or cellar.
2. Open doors and windows.
3. Check all tubes and connections for tightness. If you still smell gas leave the property.
4. Warn the neighbours.
5. Call the fire-brigade. Use a telephone outside the house.
 - 5.1 If you have door or gates that are secured by an electric lock, or entry phone, please open these manually.
6. Do not re-enter the property until you are told it is safe to do so.

Intended use

This product is designed for domestic use.

Commercial use will void the guarantee.

"CAUTION: This appliance is for cooking purposes only. It must not be used for other purposes, for example room heating."

The manufacturer shall not be liable for any damage caused by improper use or handling errors.

The oven can be used for defrosting, baking, roasting and grilling food.

Safety for children

- Packaging materials are dangerous to children. Keep packaging materials in a safe place out of reach of children.
- Electrical and/or gas products are dangerous to children. Keep children away from the product when it is operating and do not allow them to play with the product.
- Accessible parts of the appliance will become hot whilst the appliance is in use. Children should be kept away until the product has cooled down.
- "An additional protective means to avoid contact with the oven door is available. This part should be fitted when young children are likely to be present."
- Do not place any items above the appliance that children may reach for.
- When the door is open, do **not** load any heavy object on it and do **not** allow children to sit on it. It may overturn or door hinges may get damaged.
- The packaging materials will be dangerous for children. Keep the packaging materials away from children. Please dispose of all parts of the packaging according to environmental standards.

SAVE THESE INSTRUCTIONS

3 Installation

Product must be installed by a qualified person in accordance with the regulations in force. The manufacturer shall not be held responsible for damages arising from procedures carried out by unauthorized persons which may also void the warranty.



Preparation of location and electrical and gas installation for the product is under customer's responsibility.



DANGER

The product must be installed in accordance with all local gas and/or electrical regulations.



DANGER

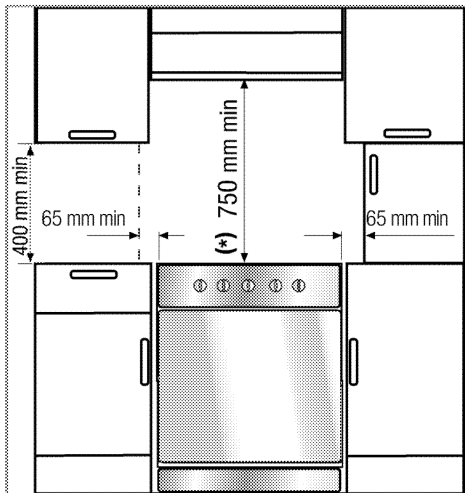
Prior to installation, visually check if the product has any defects on it. If so, do not have it installed.
Damaged products cause risks for your safety.

- It can be used with cabinets on either side but in order to have a minimum distance of 400mm above hotplate level allow a side clearance of 65mm between the appliance and any wall, partition or tall cupboard.
- It can also be used in a free standing position. Allow a minimum distance of 750 mm above the hob surface.
- (*) If a cooker hood is to be installed above the cooker, refer to cooker hood manufacturer' instructions regarding installation height (min 650 mm).
- The appliance corresponds to device class 1, i.e. it may be placed with the rear and **one** side to kitchen walls, kitchen furniture or equipment of any size. The kitchen furniture or equipment on the **other** side may only be of the same size or smaller.
- Any kitchen furniture next to the appliance must be heat-resistant (100 °C min.).

Before installation

To ensure that critical air gaps are maintained under the appliance, we recommend that this appliance is mounted on a solid base and that the feet do not sink into any carpet or soft flooring.

The kitchen floor must be able to carry the weight of the appliance plus the additional weight of cookware and bakeware and food.



Room ventilation

All rooms require an openable window, or equivalent, and some rooms will require a permanent vent as well.

The air for combustion is taken from the room air and the exhaust gases are emitted directly into the room.

Good room ventilation is essential for safe operation of your appliance. If there is no window or door available for room ventilation, an extra ventilation must be installed.

The appliance may be located in a kitchen, kitchen/diner or a bed-sitting room, but not in a room containing a bath or shower. The appliance must not be installed in a bed-sitting room of less than 20m³.

Do not install this appliance in a room below ground level unless it is open to ground level on at least one side.

Room size	Ventilation opening
smaller than 5 m ³	min. 100 cm ²
5 m ³ to 10 m ³	min. 50 cm ²
greater than 10 m ³ den	not required
In the cellar or basement	min. 65 cm ²

Installation and connection

Product can only be installed and connected in accordance with the statutory installation rules.



Do not install the appliance next to refrigerators or freezers. The heat emitted by the appliance will lead to an increased energy consumption of cooling appliances.

- Carry the product with at least two persons.
- Product must be placed directly on the floor. It must not be placed onto a base or a pedestal.



Material damage!
The door and/or handle must not be used for lifting or moving the appliance.

Gas connection



DANGER

Risk of explosion or poisoning by unprofessional installation.

The appliance may be connected to the gas distribution system only by an authorized qualified person who is Gas Safe registered.



DANGER

Risk of explosion!

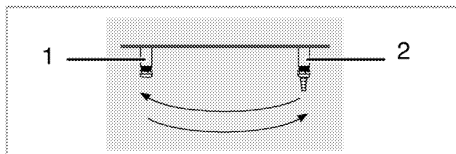
Before starting any work on the gas installation, please shut off the gas supply.

- Gas adjustment conditions and values are stated on labels (or ion type label).



Your appliance is adjusted for Natural gas.

- Natural gas installation must be prepared before installing the product.
- If necessary, interchange the sharp hose tip and the blind plug at the rear of your oven by selecting a suitable place on basis of the location of the natural gas valve.



- 1 Blind plug
- 2 Hose tip

- There must be a flex pipe at the outlet of the installation for the natural gas connection of your product and the tip of this pipe must be closed with a blind plug. Service Representative will remove the blind plug during connection and connect your product by means of a straight connection device (coupling).
- Make sure that the natural gas valve is readily accessible.
- If you need to use your product later with a different type of gas, you must consult the Authorised Service Agent for the related conversion procedure.



DANGER

Risk of explosion by damage of the safety tube!

The safety tube must not be clamped, bent or trapped or come into contact with hot parts of the appliance.

- Push the product towards the kitchen wall.
- **Adjusting the feet of oven**

Vibrations during use may cause cooking vessels to move. This dangerous situation can be avoided if the product is level and balanced.

For your own safety please ensure the product is level by adjusting the four feet at the bottom by turning left or right and align level with the work top.

Final check

1. Open gas supply.
2. Check gas installations for secure fitting and tightness.
3. Ignite burners and check appearance of the flame.



The flames should be blue and burn smoothly. If the flames appear yellowish, check secure position of the burner cap or clean the burner. Switch off gas and let burner cool before touching it.

Gas conversion



DANGER

Risk of explosion!
Before starting any work on the gas installation, please shut off the gas supply.

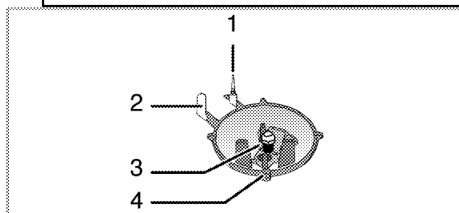
In order to change your appliance's gas type, change all injectors and make flame adjustment for all valves at reduced flow rate position.

Exchange of injector for the burners

1. Take off burner cap and burner body.
2. Unscrew injectors by turning the counter-clockwise.
3. Fit new injectors.
4. Check all connections for secure fitting and tightness.



New injectors have their position marked on their packing or injector table on *Injector table, page 5* can be referred to.



- 1 Flame failure device (model dependant)
- 2 Spark plug
- 3 Injector
- 4 Burner



Unless there is an abnormal condition, do not attempt to remove the gas burner taps. You must call an Authorised service agent if it is necessary to change the taps.

Reduced gas flow rate setting for hob taps

1. Ignite the burner that is to be adjusted and turn the knob to the reduced position.
2. Remove the knob from the gas tap.

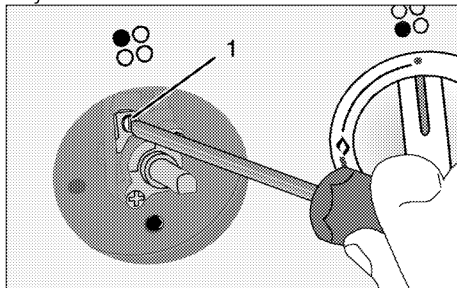
3. Use an appropriately sized screwdriver to adjust the flow rate adjustment screw.

For LPG (Butane - Propane) turn the screw clockwise. For the natural gas, you should turn the screw **counter-clockwise** once.

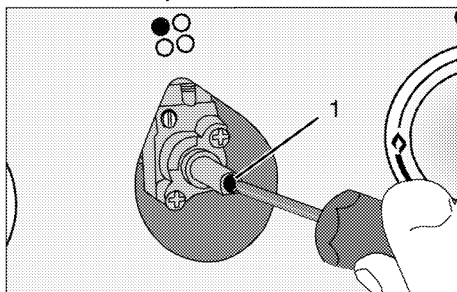
» The normal length of a straight flame in the reduced position should be 6-7 mm.

4. If the flame is higher than the desired position, turn the screw clockwise. If it is smaller turn anticlockwise.
5. For the last control, bring the burner both to high-flame and reduced positions and check whether the flame is on or off.

Depending on the type of gas tap used in your appliance the adjustment screw position may vary.



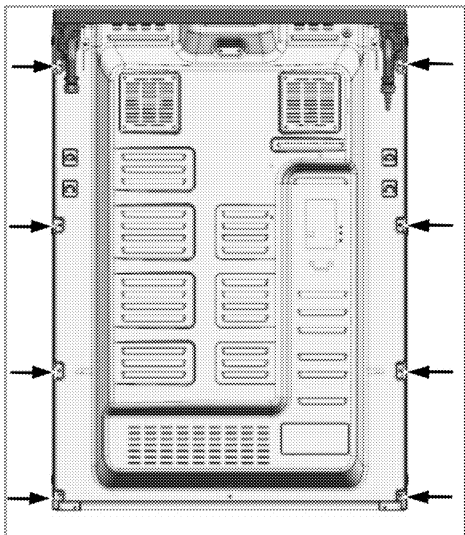
1 Flow rate adjustment screw



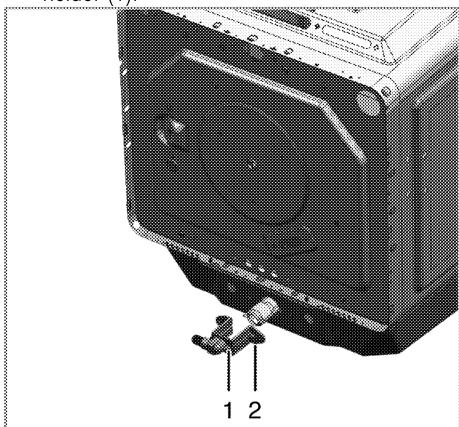
1 Flow rate adjustment screw

Exchange of injector for the oven

1. Unscrew fastening screws of the back wall.



2. Unscrew the 2 screws (2) of the injector holder (1).

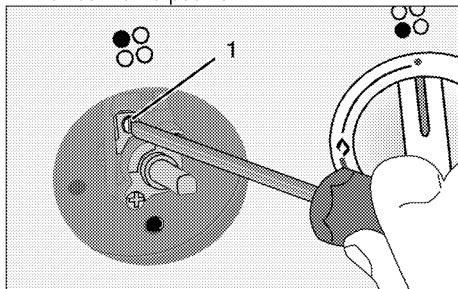


- 1 Injector holder
- 2 Screw
3. Pull out the injector holder.
4. Unscrew injector by turning to counter-clockwise direction.
5. Fit new injector.

Reduced flow adjustment for the gas oven

For the appropriate functioning of the oven re-checking the by-pass adjustment is extremely important. In order to provide maximum security to the user these operations have to be done with care.

1. Ignite the burner that is to be adjusted and turn the knob to the high flame position.
2. Close the oven door and wait for 10 to 15 minutes until the oven becomes ready for adjustment.
3. Take out the knob
4. After 15 minutes, adjust the oven to the lowest flame position.



5. Set the flame length to 2 to 3 mm by means of the screw 1 on the oven tap. Turning in clockwise direction reduces the flame, turning counter-clockwise increases the flame.

i If the temperature of the oven increases unintendedly, turn off the oven and call the authorised service agent to have oven thermostat repaired.

Butan/propan	Natural gas
Fasten the screw until the end	Loosen the screw
	1/2 round

i If the gas type of the unit is changed, then the rating plate that shows the gas type of the unit must also be changed.

Disposal

Package information

- Packaging materials of the product are manufactured from recyclable materials in accordance with our National Environment Regulations. Do not dispose of the packaging materials together with the domestic or other wastes. Take them to the packaging material collection points designated by the local authorities.

Future Transportation

- Keep the product's original carton and transport the product in it. Follow the instructions on the carton. If you do not have the original carton, pack the product in bubble wrap or thick cardboard and tape it securely.
- To prevent the wire grill and tray inside the oven from damaging the oven door, place a strip of cardboard onto the inside of the oven door that lines up with the position of the trays. Tape the oven door to the side walls.
- Secure the caps and pan supports with adhesive tape.
- Do not use the door or handle to lift or move the product.



Do not place other items on the top of the appliance. The appliance must be transported upright.



Check the general appearance of your product for any damages that might have occurred during transportation.

Disposing of the old product



Dispose of the old product in an environmentally friendly manner.

This equipment bears the selective sorting symbol for waste electrical and electronic equipment (WEEE). This means that this equipment must be handled pursuant to European Directive 2002/96/EC in order to be recycled or dismantled to minimize its impact on the environment. For further information, please contact local or regional authorities.

Refer to your local dealer or solid waste collection centre in your area to learn how to dispose of your product.

Before disposing of the product, cut off the power cable plug and make the door lock (if any) unusable to avoid dangerous conditions to children.

4 Preparation

Tips for saving energy

The following information will help you to use your appliance in an ecological way, and to save energy:

- Use dark coloured or enamel coated cookware in the oven since the heat transmission will be better.
- While cooking your dishes, perform a preheating operation if it is advised in the user manual or cooking instructions.
- Do not open the door of the oven frequently during cooking.
- Try to cook more than one dish in the oven at the same time whenever possible. You can cook by placing two cooking vessels onto the wire shelf.
- Cook more than one dish one after another. The oven will already be hot.
- Defrost frozen dishes before cooking them.
- Use pots/pans with cover for cooking. If there is no cover, energy consumption may increase 4 times.
- Select the burner which is suitable for the bottom size of the pot to be used. Always select the correct pot size for your dishes. Larger pots require more energy.

Initial use

First cleaning of the appliance



The surface may get damaged by some detergents or cleaning materials.

Do not use aggressive detergents, cleaning powder/cream or any sharp objects.

1. Remove all packaging materials.
2. Wipe the surfaces of the appliance with a damp cloth or sponge and dry with a cloth.

Initial heating

Heat up the product for about 30 minutes and then switch it off. Thus, any production residues or layers will be burnt off and removed.



WARNING

Hot surfaces may cause burns!

Do not touch the hot surfaces of the appliance. Use oven gloves. Keep children away from the appliance.

Gas oven

1. Take all baking trays and the wire grill out of the oven.
2. Close the oven door.
3. Select the highest flame of the gas oven; see *How to use the gas oven, page 18*.
4. Operate the oven about 30 minutes.
5. Turn off your oven; See *How to use the gas oven, page 18*



Smell and smoke may emit during first heating. Ensure that the room is well ventilated.

5 How to use the hob

General information about cooking



DANGER

Risk of fire by overheated oil!
When you heat oil, do not leave it unattended.

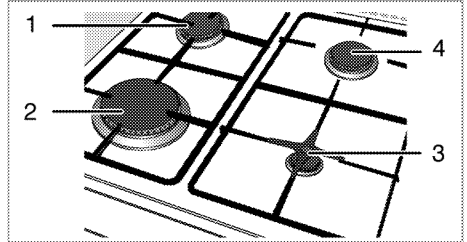
Never try to extinguish the fire with water! When oil has caught fire, immediately cover the pot or pan with a lid. Switch off the hob if safe to do so and phone the fire service.

- Before frying foods, always dry them well and gently place into the hot oil. Ensure complete thawing of frozen foods before frying.
 - Do not cover the vessel you use when heating oil.
 - Place the pans and saucepans in a manner so that their handles are not over the hob to prevent heating of the handles. Do not place unbalanced and easily tilting vessels on the hob.
 - Do not place empty vessels and saucepans on cooking zones that are switched on. They might get damaged.
 - Operating a cooking zone without a vessel or saucepan on it will cause damage to the product. Turn off the cooking zones after the cooking is complete.
 - As the surface of the product can be hot, do not put plastic and aluminum vessels on it. Such vessels should not be used to keep foods either.
 - Use flat bottomed saucepans or vessels only.
 - Put appropriate amount of food in saucepans and pans. Thus, you will not have to make any unnecessary cleaning by preventing the dishes from overflowing. Do not put covers of saucepans or pans on cooking zones.
- Place the saucepans in a manner so that they are centered on the cooking zone.
- When you want to move the saucepan onto another cooking zone, lift and place it onto the cooking zone you want instead of sliding it.

Gas cooking

- Size of the vessel and the flame must match each other. Adjust the gas flames so that they will not extend the bottom of the vessel and center the vessel on saucepan carrier.

Using the hobs



- 1 Normal burner 18-20 cm
- 2 Rapid burner 22-24 cm
- 3 Auxiliary burner 12-18 cm
- 4 Normal burner 18-20 cm is list of advised diameter of pots to be used on related burners.

Large flame symbol indicates the highest cooking power and small flame symbol indicates the lowest cooking symbol. In turned off position (top), gas is not supplied to the burners.

Igniting the gas burners

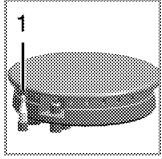
Burner is not equipped with automatic ignition. Use a lighter or match.

1. Keep burner knob pressed.
2. Turn it counter clockwise to large flame symbol.
3. Ignite the hob with lighter.
4. Adjust it to the desired cooking power.

Turning off the gas burners

Turn the keep warm zone knob to off (upper) position.

Gas shut off safety system (in models with thermic component)



1. Gas shut off safety

As a counter measure against blow out due to fluid overflows at burners, safety mechanism trips and shuts off the gas.

- Push the knob inwards and turn it counter clockwise to ignite.

- After the gas ignites, keep the knob pressed for 3-5 seconds more to engage the safety system.
- If the gas does not ignite after you press and release the knob, repeat the same procedure by keeping the knob pressed for 15 seconds.



DANGER

Risk of deflagration incase of unburned gas!

Do not press the knob for longer than 15 seconds if there was no ignition.

Wait for one minute and then repeat the ignition process.

6 How to operate the oven

General information on baking, roasting and grilling



WARNING

Hot surfaces may cause burns!
Do not touch the hot surfaces of the appliance. Use oven gloves. Keep children away from the appliance.



DANGER

Risk of scalding by hot steam!
Take care when opening the oven door as steam may escape.

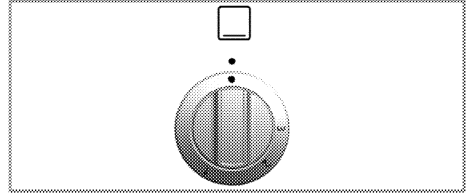
Tips for baking

- Use non-sticky coated appropriate metal plates or aluminum vessels or heat-resistant silicone moulds.
- Make best use of the space on the rack.
- Place the baking mould in the middle of the shelf.
- Select the correct rack position before turning the oven or grill on. Do not change the rack position when the oven is hot.
- Keep the oven door closed.

Tips for roasting

- Treating whole chicken, turkey and large piece of meat with dressings such as lemon juice and black pepper before cooking will increase the cooking performance.
- It takes about 15 to 30 minutes longer to roast meat with bones when compared to roasting the same size of meat without bones.
- Each centimeter of meat thickness requires approximately 4 to 5 minutes of cooking time.
- Let meat rest in the oven for about 10 minutes after the cooking time is over. The juice is better distributed all over the roast and does not run out when the meat is cut.
- Fish should be placed on the middle or lower rack in a heat-resistant plate.

How to use the gas oven



The gas oven is operated by the gas oven control knob. In off position (top) the gas supply is Off.

Switch on the gas oven

The gas oven is ignited with a gas lighter.

1. Open oven door.
2. Keep gas oven control knob pressed and turn it **counterclockwise**.
3. Ignite the gas with the gas lighter from the ignition control hole.
4. Keep the burner control pressed for 3 to 5 seconds.
» Be sure that gas has ignited and flame is present.
5. Keep the burner control pressed for another 3 to 5 seconds.
6. Select the desired baking power/ gas mark.



DANGER

Risk of deflagration by gas that is not ignited!

"The device shall not be operated for more than 15 s. If after 15 s the burner has not lit, stop operating the device and open the compartment door and/or wait at least 1 min before attempting a further ignition of the burner."

Switch off the gas oven

1. Turn gas oven control knob to off position (top).

Gas level temperature chart

Gas level	1	2	3
Temperature in °C	175	300	320

Cooking times table



Level 1 is the **bottom** level in the oven.



Maximum load for the oven tray: 4 kg (8,8 lbs).



The values indicated in the table below are data indicative. They may vary according to the type of food as well as your preferences of cooking.

Stand dishes on a baking sheet to prevent spillages onto oven base and help keep oven clean.

Baking and roasting

Food	Preheating *	Insertion level	Control knob position	Cooking time
Apple pie	10 min.	4	1	50...70 min.
Fruit tart	10 min.	4	1	20...40 min.
Pie	10 min.	4	1	20...40 min.
Cookies	10 min.	4	1	25...35 min.
Leaven	10 min.	4	1	40...60 min.
Cake	10 min.	4	1	30...50 min.
Biscuits	10 min.	4	1	25...35 min.
Roast lamb	10 min.	3	1	60...100 min. per 450 g + 30 min.
Roast Beef	10 min.	3	1	80...120 min. per 450 g + 30 min.
Poultry	10 min.	3	1	60...80 min. per 450 g + 25 min.
Casseroles	10 min.	3	1	90...120 min.
Fish	10 min.	4	1	35...45 min.
Macaroni	10 min.	4	1	40...60 min.
Small cakes	10 min.	4	1	30...40 min.
Victoria sandwich	10 min.	4	1	30...40 min.

* at control knob position 2 / ^s depending on quantity / [#] depending on size

7 Maintenance and care

General information

Service life of the product will extend and the possibility of problems will decrease if the product is cleaned at regular intervals.



DANGER

Risk of electric shock!

Switch off the electricity before cleaning appliance to avoid an electric shock.



DANGER

Hot surfaces may cause burns!

Allow the appliance to cool down before you clean it.

- Clean the product thoroughly after each use. In this way it will be possible to remove cooking residues more easily, thus avoiding these from burning the next time the appliance is used.
- No special cleaning agents are required for cleaning the product. Use warm water with washing liquid, a soft cloth or sponge to clean the product and wipe it with a dry cloth.
- Always ensure any excess liquid is thoroughly wiped off after cleaning and any spillage is immediately wiped dry.
- Do not use cleaning agents that contain acid or chloride to clean the stainless or inox surfaces and the handle. Use a soft cloth with a liquid detergent (not abrasive) to wipe those parts clean, paying attention to sweep in one direction.
- Do not use solid metal scrapers or abrasive cleaning materials to clean the glass cover. Glass surface can get damaged.



The surface may get damaged by some detergents or cleaning materials.

Do not use aggressive detergents, cleaning powder/cream or any sharp objects.



Do not use steam cleaners for cleaning.

Cleaning the hob

Gas hobs

1. Remove and clean the saucepan carriers and burner caps.
2. Clean the hob.
3. Install the burner caps and make sure that they are seated correctly.
4. When installing the upper grills, pay attention to place the saucepan carriers so that the burners are centered.

Cleaning the control panel

Clean the control panel and knobs with a damp cloth and wipe them dry.



Damage of the control panel!

Do not remove the control knobs for control panel cleaning.

Cleaning the oven

Clean oven door

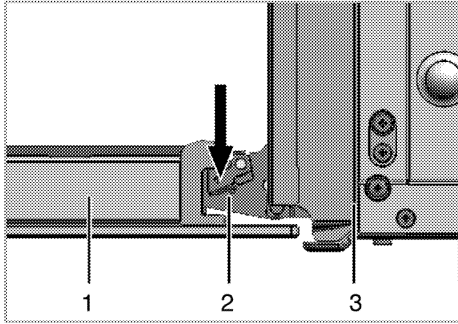
To clean the oven door, use warm water with washing liquid, a soft cloth or sponge to clean the product and wipe it with a dry cloth.



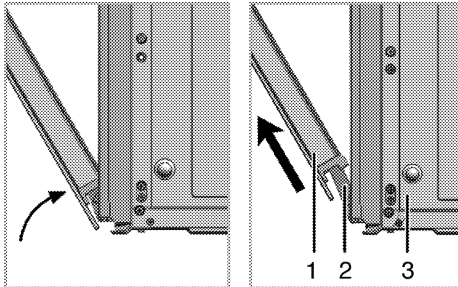
Don't use any harsh abrasive cleaners or sharp metal scrapers for cleaning the oven door. They could scratch the surface and destroy the glass.

Removing the oven door

1. Open the front door (1).
2. Open the clips at the hinge housing (2) on the right and left hand sides of the front door by pressing them down as illustrated in the figure.



- 1 Front door
- 2 Hinge
- 3 Oven



3. Move the front door to half-way.
4. Remove the front door by pulling it upwards to release it from the right and left hinges.

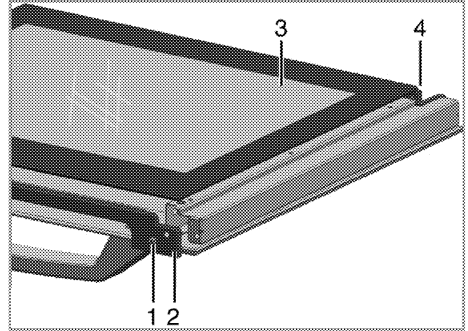


Steps carried out during removing process should be performed in reverse order to install the door. Do not forget to close the clips at the hinge housing when reinstalling the door.

Removing the door inner glass

The inner glass panel of the oven door can be removed for cleaning.

1. Open the oven door.



- 1 Screw
- 2 Plastic profile
- 3 Inner glass pane
- 4 Plastic slot

2. Take out the screw(1) with a screwdriver
3. Take out the profile (2) then hold up to inner glass (3).
4. Then group the door again, put the glass pane (3) to the plastic slots (4) and group the profile.

8 Troubleshooting

Oven emits steam when it is in use.

It is normal that steam escapes during operation. This is not a fault.

Water drops occur during cooking

The vapour that arises during cooking can condense and form water droplets when it hits cold surfaces of the product. This is not a fault.

There is no gas.

Main gas valve is closed.

Open gas valve.

Gas pipe is bent.

Install gas pipe properly.

There is no ignition spark.

No current.

Check fuses in the fuse box.

Burners are not burning properly or at all.

Burners are dirty.

Clean burner components.

Burners are wet.

Dry the burner components.

Burner cap is not mounted safely.

Mount the burner cap properly.

Gas valve is closed.

Open gas valve.

Gas cylinder is empty (when using LPG).

Replace gas cylinder.



Consult the Authorised Service Agent or the dealer where you have purchased the product if you can not remedy the trouble although you have implemented the instructions in this section. Never attempt to repair a defective product yourself.

Перед началом эксплуатации прочитайте это руководство!

Уважаемый покупатель!

Мы хотели бы, чтобы вы добились наилучших результатов с изделием, изготовленным в современных производственных условиях и прошедшим строгий контроль качества.

Поэтому рекомендуем вам внимательно и полностью изучить данное Руководство пользователя, прежде чем пользоваться изделием, и сохранить его для дальнейшего использования в справочных целях. Если вы передаете изделие новому владельцу, передайте ему и Руководство пользователя.

Данное Руководство пользователя поможет вам быстро и безопасно пользоваться изделием.

- Прежде чем устанавливать и включать духовой шкаф, прочитайте Руководство пользователя.
- Следует строго соблюдать инструкции по технике безопасности.
- Сохраните это Руководство пользователя под рукой для дальнейшего использования в справочных целях.
- Прочитайте также другие документы, входящие в комплект поставки изделия. Помните, что данное Руководство пользователя может быть применимо к некоторым другим моделям. Различия между моделями четко указаны в руководстве.

Пояснения к символам

В данном Руководстве пользователя используются следующие символы:



Важная информация или полезные советы по использованию.



Предупреждения о ситуациях, опасных для жизни людей и имущества.



Предупреждение об опасности поражения электрическим током.



Предупреждение об опасности пожара.



Предупреждение о горячих поверхностях.

1 Общие сведения 4

Обзор.....	4
Технические характеристики.....	5
Принадлежности.....	5
Характеристики горелок.....	6

2 Правила техники безопасности 7

Общие правила техники безопасности.....	7
Правила техники безопасности при работе с газовым оборудованием.....	8
Использование по назначению.....	9
Безопасность детей.....	9

3 Установка 10

До начала установки.....	10
Установка и подключение.....	11
Переход на другой вид газа.....	12
Утилизация.....	14
Утилизация упаковочных материалов.....	14
Для будущей транспортировки.....	14
Утилизация старого изделия.....	15

4 Подготовка к эксплуатации 16

Рекомендации по экономии электроэнергии.....	16
Подготовка к эксплуатации.....	16

Очистка прибора перед началом эксплуатации.....	16
Первоначальный прогрев.....	16

5 Правила эксплуатации варочной панели 17

Общие сведения о приготовлении пищи..	17
Эксплуатация варочных панелей.....	17

6 Правила эксплуатации духовки 19

Общие сведения о выпекании, жарении и приготовлении с грилем.....	19
Правила эксплуатации газовой духовки....	19
Время приготовления блюд.....	20

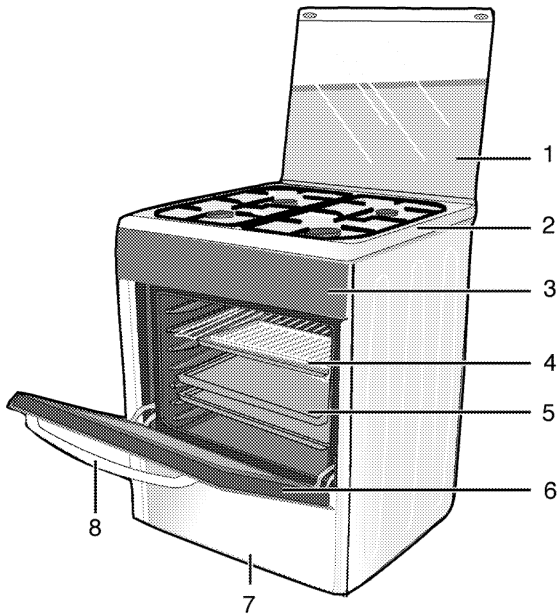
7 Уход и техническое обслуживание 21

Общие сведения.....	21
Чистка варочной панели.....	21
Чистка панели управления.....	21
Чистка духовки.....	21
Снятие дверцы духового шкафа.....	22
Снятие внутреннего стекла дверцы.....	22

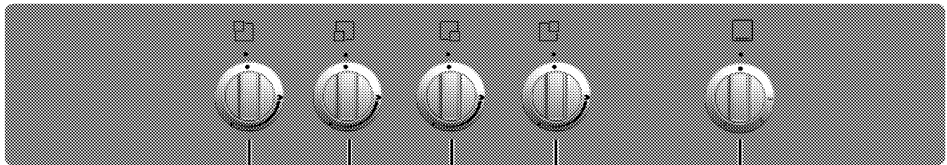
8 Поиск и устранение неисправностей 23

1 Общие сведения

Обзор



- | | | | |
|---|---------------------|---|-----------------|
| 1 | Верхняя крышка | 5 | Противень |
| 2 | Крышка конфорки | 6 | Передняя дверца |
| 3 | Панель управления | 7 | Нижняя часть |
| 4 | Проволочная решетка | 8 | Ручка дверцы |



- | | | | |
|---|--|---|-----------------------------------|
| 1 | Нормальная конфорка Задняя левая | 4 | Нормальная конфорка Задняя правая |
| 2 | Конфорка быстрого нагрева Передняя левая | 5 | Ручка духового шкафа |
| 3 | Дополнительная конфорка Передняя правая | | |

Технические характеристики

ОБЩИЕ СВЕДЕНИЯ	
Габариты (высота / ширина / глубина)	850 мм/500 мм/600 мм
Категория газового прибора	II 2H3B/P
Тип газа/давление	NG G 20/20 мбар
Общий расход газа	10.4 кВт
Переход на тип газа/давление§ – дополнительно	NG G 20/13 мбар NG G 20/10мбар - LPG G 30/30 мбар
ВАРОЧНАЯ ПАНЕЛЬ	
Конфорки	
Задняя левая	Нормальная конфорка
Мощность	2 кВт
Передняя левая	Конфорка быстрого нагрева
Мощность	2.9 кВт
Передняя правая	Дополнительная конфорка
Мощность	1 кВт
Задняя правая	Нормальная конфорка
Мощность	2 кВт
ДУХОВКА/ГРИЛЬ	
Главный духовой шкаф	Газовая духовка
Духовка: расход газа	2.5 кВт



При усовершенствовании качества продукции технические характеристики могут быть изменены без предварительного уведомления.



Иллюстрации в данном руководстве являются схематичными и могут несколько отличаться от конкретного изделия.



Значения, указанные на этикетках изделия или в сопроводительной документации, получены в лабораторных условиях согласно соответствующим стандартам. Эти данные могут быть иными в зависимости от условий эксплуатации изделия.

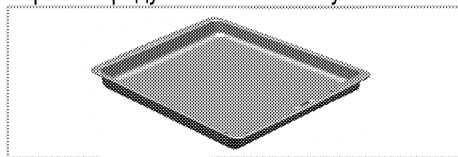
Принадлежности



Изделие комплектуется различным набором дополнительных принадлежностей в зависимости от модели. Некоторые дополнительные принадлежности, описанные в руководстве пользователя, в комплекте этого изделия могут отсутствовать.

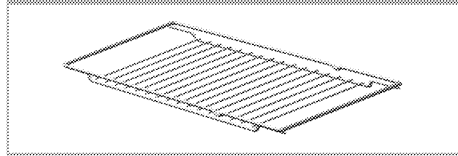
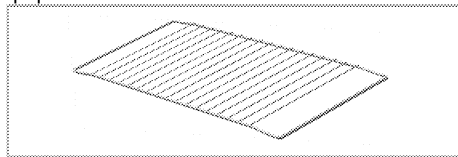
Противень

Предназначен для выпечки изделий из теста, размораживания замороженных продуктов и жарения продуктов большими кусками.



Проволочная решетка

Предназначена для жарения, а также для размещения продуктов на нужной полке при выпечке, жарении или приготовлении в формах.



Характеристики горелок

Расположение конфорки	2 кВт Задняя левая	2.9 кВт Передняя левая	1 кВт Передняя правая	2 кВт Задняя правая
Тип газа / давле- ние				
G 20/10 мбар	125	155	90	125
G 20/13 мбар	116	145	84	116
G 20/20 мбар	103	115	72	103
G 30/28-30 мбар	72	87	50	72

Тип газа / давление	Газовая духовка
G 20/10 мбар	130
G 20/13 мбар	128
G 20/20 мбар	115
G 30/28-30 мбар	73

2 Правила техники безопасности

В данном разделе содержатся инструкции по технике безопасности, которые помогут вам избежать травм и повреждений. В случае невыполнения этих инструкций, гарантия аннулируется.

Общие правила техники безопасности

- Этот прибор не предназначен для использования лицами с ограниченными физическими, сенсорными или умственными способностями, а также лицами, не имеющими достаточного опыта и знаний (в том числе детьми), если они не находятся под наблюдением лица, ответственного за их безопасность, или не действуют по его указаниям относительно использования данного изделия. Следите за тем, чтобы дети не портили прибор.
- Подключайте прибор к розетке или линии с заземлением, защищенную предохранителем, мощность которого соответствуют данным, приведенным в таблице "Технические характеристики". Установку заземления должен выполнять квалифицированный специалист (при использовании прибора с трансформатором или без него). Наша компания не несет ответственности за ущерб, понесенный вследствие использования прибора без заземления, выполненного в соответствии с местными нормами и правилами.
- Во избежание несчастных случаев, при повреждении шнура питания он должен быть заменен производителем, его специалистом по сервису или лицом, имеющим аналогичную квалификацию.
- Не пользуйтесь неисправным прибором, а также прибором с заметными повреждениями.
- Не ремонтируйте прибор и не вносите в него никаких изменений. Однако можно самостоятельно устранять неисправности, не требующие ремонта прибора или замены деталей. См. раздел *Поиск и устранение неисправностей*, стр. 23
- Запрещено мыть прибор водой! Это может привести к поражению электрическим током.
- Не пользуйтесь прибором, находясь под воздействием алкоголя или лекарственных препаратов, снижающих скорость реакции или нарушающих координацию движений.
- Прежде чем приступить к установке, техническому обслуживанию, чистке и ремонту, изделие необходимо отключить от электросети.
- Будьте осторожны при использовании спиртных напитков в приготавливаемых блюдах. При высокой температуре спирт испаряется, и при соприкосновении с горячими поверхностями может загореться и вызвать пожар.
- Не разогревайте в духовом шкафу продукты в закрытых жестяных или стеклянных банках. Внутри банок может повыситься давление, что приведет к взрыву.
- Не располагайте рядом с прибором легковоспламеняющиеся материалы, так как во время работы его боковые поверхности сильно нагреваются.
- Не ставьте противни или посуду непосредственно на дно духового шкафа, а также не кладите на него алюминиевую фольгу. Избыточное тепло может привести к повреждению дна духового шкафа.
- Следите за тем, чтобы вентиляционные отверстия были полностью открыты.
- Во время работы прибор может сильно нагреваться. Не прикасайтесь к горячим конфоркам, внутренним частям духового шкафа, нагревательным элементам и т.п.
- Помещая продукты в горячий духовой шкаф или вынимая их оттуда, обяза-

- тельно пользуйтесь термостойкими рукавицами.
- Не пользуйтесь духовым шкафом, если стекло в передней дверце потрескалось или же вынута.
- Задняя стенка духового шкафа во время работы сильно нагревается. Следите за тем, чтобы газовые шланги и электрические провода не соприкасались с задней стенкой, так как это может привести к их повреждению.
- Следите за тем, чтобы шнур питания не был зажат между рамой и дверцей духового шкафа, и не прокладывайте его по горячим поверхностям. В противном случае изоляция кабеля может расплавиться, что приведет к короткому замыканию и пожару.
- После использования обязательно выключайте прибор.



Прибор должен устанавливаться квалифицированным специалистом в соответствии с действующими нормами и правилами. В противном случае гарантия аннулируется.

Правила техники безопасности при работе с газовым оборудованием

- Все работы с газовыми приборами и системами должны выполнять только квалифицированные специалисты, имеющие право на выполнение таких работ.
- "Перед установкой проверьте, соответствуют ли параметры местной распределительной сети (давление и тип газа) настройкам прибора."
- "Это устройство не подсоединяется к устройству для удаления продуктов горения. Это устройство не подсоединяется к устройству для удаления продуктов горения. Установка и подключение прибора должны выполняться в соответствии с действующими нормами и правилами. Особое внимание следует уделить требованиям к вентиляции" (см. раздел *До начала установки, стр. 10*).
- **"ВНИМАНИЕ!** Во время эксплуатации газовой плиты она выделяет тепло, влагу и продукты сгорания в помещении, в котором установлена. Убедитесь, что кухня хорошо проветривается, в особенности во время использования прибора: держите открытыми отверстия, через которые осуществляется естественная вентиляция, или установите прибор для искусственной вентиляции (механическую надплитную вытяжку). Длительное интенсивное использование прибора может требовать дополнительной вентиляции, например, увеличения уровня мощности механической вытяжки, если она имеется."
- Необходимо регулярно проверять исправность газовых приборов и систем. Регулятор, шланг и его хомут следует проверять регулярно и заменять в сроки, рекомендованные производителем, или по мере необходимости.
- Регулярно очищайте газовые горелки. Горелка должна гореть ровным голубым пламенем.
- В газовых приборах необходимо обеспечить полное сжигание газа, так как при неполном сгорании газа выделяется угарный газ (CO). Угарный газ (монооксид углерода) - это очень ядовитый бесцветный газ без запаха, который даже в очень малых дозах вызывает отравление и смерть.
- Узнайте у своего поставщика газа телефон местной аварийной службы газа, а также ознакомьтесь с мерами предосторожности, которые необходимо предпринимать при обнаружении запаха газа.

Меры предосторожности при обнаружении запаха газа



ОПАСНО!

Остерегайтесь взрыва и отравления газом!

Не пользуйтесь открытым пламенем и не курите.

Не пользуйтесь электрическими выключателями (например, выключателем освещения или дверным звонком).

Не пользуйтесь стационарными и мобильными телефонами.

1. Перекройте все краны газовых приборов и газовых счетчиков
2. Откройте окна и двери.
3. Проверьте все трубы и соединения на герметичность. Если запах газа не исчезает, покиньте помещение.
4. Предупредите соседей.
5. Вызовите пожарную команду. Звоните по телефонному аппарату, который находится за пределами дома.
6. Не входите в помещение, пока вам не сообщат, что это безопасно.

Использование по назначению

Данное изделие предназначено исключительно для бытового использования. Запрещается использовать прибор в коммерческих целях.

"ВНИМАНИЕ! Данное изделие предназначено исключительно для приготовления пищи.

Его запрещено использовать для других целей, например, для обогрева помещения."

Производитель не несет ответственности за повреждения в результате использования

изделия не по назначению или неправильно-го обращения с ним.

Духовой шкаф можно использовать для размораживания, выпекания, жарения и приготовления продуктов на гриле.

Безопасность детей

- Электрическое и газовое оборудование представляют опасность для детей. Во время работы духового шкафа не допускайте к нему детей, а также не разрешайте им играть с ним.
- Не подпускайте детей к изделию во время его работы, а также, пока оно не остыло, так как внешние части изделия сильно нагреваются.
- "Доступны дополнительные защитные средства для предотвращения контакта с дверцей духовки. Этот компонент следует установить, если маленькие дети могут находиться в помещении."
- Не храните над изделием предметы, которые дети могут попытаться достать.
- **Не** ставьте на открытую дверцу тяжелые предметы и **не** позволяйте детям садиться на нее, Духовой шкаф может перевернуться, а также могут быть повреждены петли дверцы.
- Упаковочные материалы опасны для детей. Храните упаковочные материалы в недоступном для детей месте. Утилизируйте все упаковочные материалы в соответствии с нормами по охране окружающей среды.

3 Установка

Прибор должен устанавливаться квалифицированным специалистом в соответствии с действующими нормами и правилами. В противном случае гарантия аннулируется. Производитель не несет ответственности за повреждения в результате выполнения работ лицами, не имеющими соответствующей квалификации. Это может привести к аннулированию гарантии.



Подготовка места установки, электрического и газового оборудования обеспечивается покупателем.



ОПАСНО!

Бытовой прибор следует устанавливать в соответствии со всеми местными нормами по подключению газового и/или электрического оборудования.



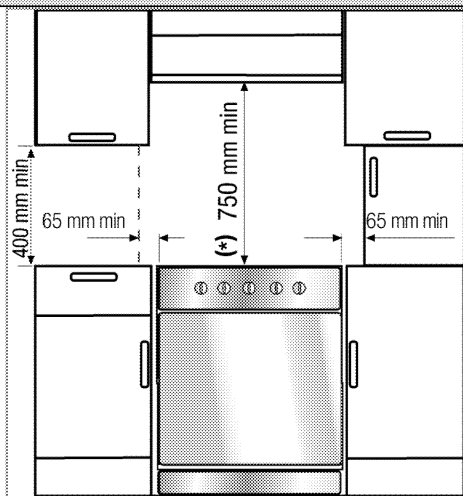
ОПАСНО!

Прежде чем приступать к установке, визуально проверьте отсутствие внешних дефектов духового шкафа. При наличии дефектов не устанавливайте его. Поврежденные электроприборы представляют собой угрозу вашей безопасности.

До начала установки

Для того чтобы обеспечить наличие необходимых зазоров для циркуляции воздуха под плитой, рекомендуем устанавливать ее на твердом основании так, чтобы ножки не погружались в ковер или мягкое напольное покрытие.

Кухонный пол должен выдерживать вес прибора с учетом веса посуды и продуктов.



- Ее можно использовать с кухонными шкафами с обеих сторон, однако следует оставить свободное пространство минимум 400 мм над уровнем конфорок, а также боковое свободное пространство не менее 65 мм между плитой и стеной, перегородкой или высоким кухонным шкафом.
- Плита может также стоять отдельно. Обеспечьте свободное расстояние не менее 750 мм от поверхности плиты до поверхностей над ней.
- В случае установки надплитного воздухоочистителя соблюдайте инструкции его производителя в отношении высоты монтажа устройства (мин. 650 мм).
- Это устройство соответствует требованиям к приборам класса 1, и его можно устанавливать так, чтобы задняя и **одна** из боковых стенок примыкали к стенам помещения, стенкам кухонных шкафчиков или бытовых приборов любой высоты. Кухонная мебель или бытовые приборы, примыкающие с **другой** стороны, должны быть не выше прибора.
- Вся кухонная мебель, рядом с которой устанавливается устройство, должна быть термостойкой (не менее 100 °С).

Вентиляция помещения

В помещении должно быть открывающееся окно, а в некоторых помещениях необходимо также наличие постоянной вентиляции.

Забор воздуха для процесса горения производится в помещении, и уходящие газы выделяются непосредственно в помещение. Поэтому для безопасной эксплуатации устройства необходимо обеспечить хорошую вентиляцию помещения. Если в помещении нет окна или двери, пригодных для вентиляции, необходимо установить дополнительные средства вентиляции.

Устройство может устанавливаться в кухне, в кухне-столовой или в жилой комнате, но не в помещении с ванной или душем. Плиту запрещается устанавливать в жилой комнате площадью менее 20 м².³

Не устанавливайте плиту в помещении, находящемся ниже уровня поверхности, если оно не выходит на уровень поверхности хотя бы одной стороной.

Размер помещения	Вентиляционный проем
менее 5 м ³	не менее 100 см ²
5 м ³ до 10 м ³	не менее 50 см ²
более 10 м ³ dep	не требуется
В подвальном помещении	не менее 65 см ²

Установка и подключение

Прибор следует устанавливать и подключать в соответствии с действующими нормами и правилами.

i Не устанавливайте прибор рядом с холодильником или морозильной камерой. Поскольку прибор излучает тепло, холодильные установки будут потреблять больше электроэнергии.

- Переносить прибор должны не менее двух человек.
- Прибор следует устанавливать прямо на пол. Не устанавливайте прибор на подставки.

i Будьте осторожны, чтобы не повредить прибор!
Не перемещайте и не поднимайте устройство за дверцу и/или ручку.

Подключение газа

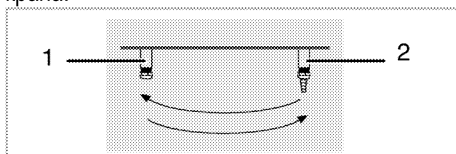
! **ОПАСНО!**
Непрофессиональная установка может привести к взрыву или отравлению газом.
Подключение прибора к сети газоснабжения должен выполнять квалифицированный специалист, имеющий право на выполнение таких работ.

! **ОПАСНО!**
Остерегайтесь взрыва!
Перед выполнением каких-либо работ по монтажу газовых приборов, перекройте подачу газа.

- Тип и давление газа, на которые отрегулирован прибор, указаны на паспортной таблице или маркировке.


i Эта плита настроена для работы на природном газе.

- Перед установкой прибора необходимо подготовить подвод природного газа.
- При необходимости можно поменять местами штуцер и заглушку на патрубках на задней стенке духовки в соответствии с местом расположения газового крана.



- 1 Заглушка
 - 2 Штуцер
- К выпускному отверстию источника газа должна быть присоединена гибкая подводка для подвода газа к прибору, закрытая заглушкой. При установке прибора представитель службы газа вынет заглушку и присоединит прибор к газовой сети с помощью муфты.


- Газовый вентиль должен находиться в легкодоступном месте.
- Если впоследствии возникнет необходимость перевести прибор на другой вид газа, обратитесь в фирменный сервисный центр для получения консультации о том, как выполнить такой переход.

 **ОПАСНО!**
 Повреждение безопасной подводки может привести к взрыву!
 Следите за тем, чтобы безопасная подводка не была зажата или скручена, а также, не касалась нагревающихся компонентов прибора.


- Придвиньте прибор к стене кухни.
- **Регулирование ножек духовки**
 При наличии вибрации посуда во время приготовления может сдвигаться. Для предотвращения опасных ситуаций необходимо, чтобы прибор стоял ровно и устойчиво.
 В целях безопасности, выровняйте прибор с помощью 4 регулируемых ножек. Для этого поворачивайте их влево и вправо до тех пор, пока прибор не будет ровно стоять на столешнице.

Окончательная проверка

1. Откройте подачу газа.
2. Проверьте места подключения газа на надежность закрепления и герметичность.
3. Зажгите горелки и проверьте внешний вид пламени.

 Горелка должна гореть ровным голубым пламенем. Если пламя имеет желтоватый оттенок, проверьте положение наклейки горелки или прочистите горелку.


Переход на другой вид газа

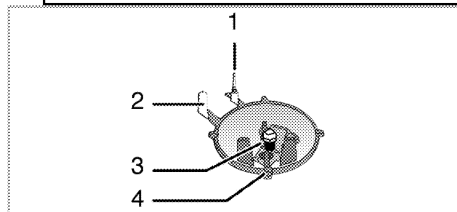
 **ОПАСНО!**
 Остерегайтесь взрыва!
 Перед выполнением каких-либо работ по монтажу газовых приборов, перекройте подачу газа.

Для перехода на другой вид газа необходимо заменить все форсунки прибора и отрегулировать все краны для уменьшения подачи газа.


Замена форсунок в горелках

1. Снимите накладку горелки и выньте корпус горелки.
2. Вывинтите форсунки, поворачивая против часовой стрелки.
3. Вставьте новые форсунки.
4. Проверьте соединения на надежность закрепления и герметичность.

 Расположение новых форсунок указано на упаковке или в таблице на *Характеристики горелок*, стр. 6.



- 1 Устройство газ-контроля (в зависимости от модели)
- 2 Свеча зажигания
- 3 Форсунка
- 4 Горелка

 Не снимайте газовые краны горелок без особой необходимости. В случае необходимости замены кранов обращайтесь только в фирменный сервисный центр.

Регулировка газовых кранов для уменьшения подачи газа

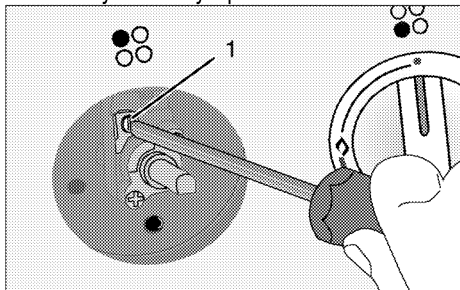
1. Зажгите горелку, которую нужно отрегулировать, и установите ручку регулятора в положение минимального пламени.
2. Снимите ручку регулятора с газового крана.
3. К винту регулировки подачи газа примените отвертку соответствующего размера.

Для сжиженного нефтяного газа (бутан-пропан) следует повернуть винт по часовой стрелке. Для природного газа следует по-

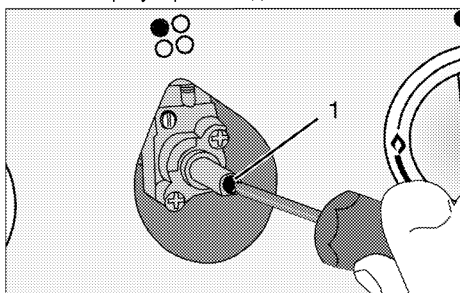
вернуть винт на один оборот **против часовой стрелки**.

» Нормальная высота прямого пламени при установке регулятора в положение минимального пламени должна составлять 6-7 мм.

4. Если пламя выше, чем нужно, поверните винт по часовой стрелке, если ниже – поверните в противоположную сторону.
5. В качестве заключительной проверки установите регулятор конфорки в положение максимального и минимального пламени и проверьте воспламенение и выключение огня.
6. Положение винта регулировки подачи зависит от типа газового вентиля, используемого в устройстве.



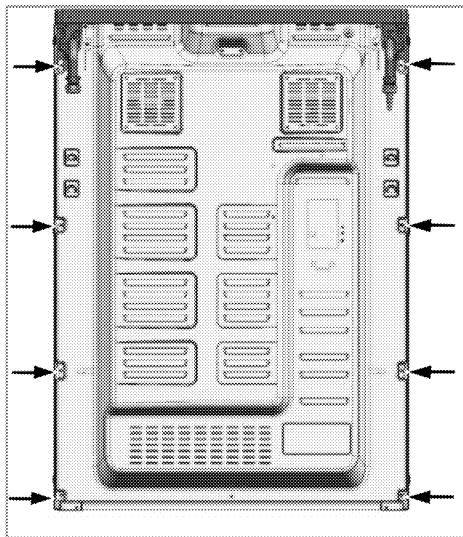
1 Винт регулировки подачи газа



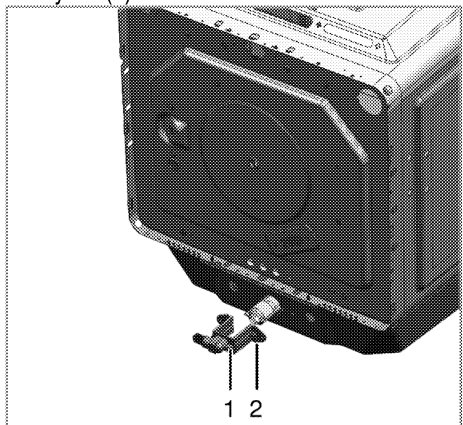
1 Винт регулировки подачи газа

Замена форсунки в духовке

1. Отвинтите винты, которыми крепится задняя стенка.



2. Отвинтите два винта (2) держателя форсунки (1).



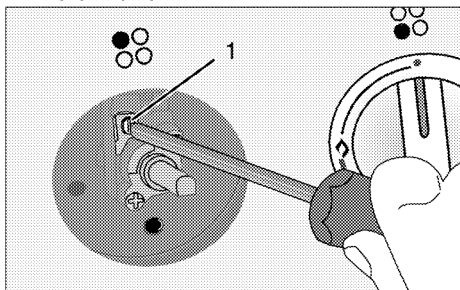
- 1 Держатель форсунки
- 2 Винт
3. Извлеките держатель форсунки.
4. Вывинтите форсунку, поворачивая против часовой стрелки.
5. Вставьте новую форсунку.

Регулировка для уменьшения подачи газа к духовке

Для надлежащей работы духовки очень важно проверить регулировку подачи газа. Чтобы обеспечить безопасную эксплуатацию

устройства, будьте предельно внимательны при выполнении этих действий.

1. Зажгите горелку, которую нужно отрегулировать, и установите ручку регулятора в положение максимального пламени.
2. Закройте дверцу духовки и подождите 10-15 минут, пока духовка будет готова к регулировке.
3. Снимите ручку регулятора.
4. Через 15 минут установите регулятор горелки духовки в положение минимального пламени.



5. Отрегулируйте высоту пламени горелки духовки до 2-3 мм с помощью винта 1 на термостате духовки. Чтобы уменьшить пламя, поверните винт по часовой стрелке, чтобы увеличить – против часовой стрелки.



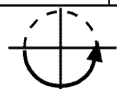
Если температура в духовке слишком повысится, выключите духовку и обратитесь в фирменный сервисный центр, чтобы отремонтировать термостат.

Пропан/бутан

Затяните винт до конца

Природный газ

Ослабьте винт на пол-оборота



При замене типа газа необходимо также заменить и паспортную табличку прибора, содержащую информацию о потребляемом газе.

Утилизация

Утилизация упаковочных материалов

- Упаковочные материалы опасны для детей. Храните упаковочные материалы в безопасном и недоступном для детей месте. Упаковочные материалы изделия изготовлены из материалов, подлежащих вторичной переработке. Утилизируйте их соответствующим образом и сортируйте согласно инструкций по обращению с отходами, подлежащими вторичной переработке. Не утилизируйте их вместе с обычными бытовыми отходами.

Для будущей транспортировки

- Сохраните оригинальную упаковочную коробку и перевозите прибор в ней. Следуйте указаниям, нанесенным на упаковке. Если оригинальная упаковочная коробка не сохранилась, заверните изделие в пузырчатую упаковку или поместите в плотный картон. Надежно заклейте клейкой лентой.
- Чтобы проволочная решетка и противень, которые хранятся внутри духовки, не повредили дверцу, поместите с внутренней стороны дверцы картонную полосу ровень с противнями. Прикрепите дверцу духового шкафа к боковым стенкам клейкой лентой.
- Закрепите накладки горелок и подставки для посуды клейкой лентой.
- Не поднимайте и не передвигайте духовой шкаф, держась за дверцу или за ручку дверцы.



Не ставьте посторонние предметы на поверхность прибора. Прибор следует транспортировать в вертикальном положении.



Осмотрите прибор снаружи на предмет возможных повреждений при транспортировке.

Утилизация старого изделия



Утилизируйте старое изделие экологически безопасным способом.

Данное изделие имеет символ отдельной сортировки отходов электрического и электронного оборудования (WEEE). Это означает, что с данным оборудованием необходимо обращаться в соответствии с Европейской директивой 2002/96/ЕС, чтобы отрицательное воздействие на окружающую среду

при его переработке или разборке сводилось к минимуму. Для получения дополнительной информации обращайтесь в местные или региональные органы власти.

Чтобы узнать о порядке утилизации вашего изделия, обратитесь к местному дилеру или в пункт сбора твердых отходов вашего региона.

Прежде чем утилизировать изделие, отрежьте вилку шнура питания и выведите из строя замок дверцы (если он имеется), чтобы не создавать опасных ситуаций для детей.

4 Подготовка к эксплуатации

Рекомендации по экономии электроэнергии

Эти рекомендации помогут вам использовать изделие экологически чистым способом и экономить электроэнергию.

- Используйте в духовом шкафу темную или эмалированную посуду: это позволит улучшить теплопередачу.
- Прогревайте духовой шкаф перед приготовлением пищи, если это рекомендуется в руководстве пользователя или в инструкциях по приготовлению продуктов.
- Во время приготовления пищи не открывайте дверцу духового шкафа слишком часто.
- По возможности старайтесь готовить в духовом шкафу несколько блюд одновременно. При приготовлении пищи на решетку можно устанавливать по две емкости с продуктами.
- Готовьте блюда одно за другим. Духовой шкаф уже будет прогрет.
- Размораживайте замороженные продукты перед приготовлением.
- Готовьте пищу в закрытой посуде. При приготовлении в открытой посуде энергопотребление может возрасти в 4 раза.
- Выбирайте конфорку соответственно размеру дна посуды. Обязательно выбирайте посуду соответственно объему приготавливаемого блюда. Чем больше объем посуды, тем выше энергопотребление.

Подготовка к эксплуатации

Очистка прибора перед началом эксплуатации



Некоторые стиральные порошки и моющие средства могут повредить поверхность.

Не используйте сильнодействующие стиральные порошки, сухие чистящие средства, суспензии или острыми предметами.

1. Снимите все упаковочные материалы.
2. Протрите поверхность прибора влажной тканью или губкой и вытрите насухо.

Первоначальный прогрев

Прогрейте прибор в течение 30 минут, а затем выключите. Это обеспечит выгорание и удаление производственных загрязнений и покрытий.



ПРЕДУПРЕЖДЕНИЕ!

Будьте осторожны с горячими поверхностями!

Не прикасайтесь к горячим поверхностям прибора – пользуйтесь прихватками. Не подпускайте к нему детей.

Газовая духовка

1. Выньте из духового шкафа все противни и решетку.
2. Закройте дверцу духового шкафа.
3. Включите газовую духовку на максимальную мощность (см. раздел *Правила эксплуатации газовой духовки, стр. 19*).
4. Дайте духовому шкафу поработать около 30 минут.
5. Затем выключите духовой шкаф (см. раздел *Правила эксплуатации газовой духовки, стр. 19*).



При первоначальном прогреве может появляться запах и дым, поэтому следует обеспечить хорошую вентиляцию.

5 Правила эксплуатации варочной панели

Общие сведения о приготовлении пищи



ОПАСНО!

Остерегайтесь возгорания раскаленного жира!

Не оставляйте посуду с нагревающимся жиром без присмотра.

Не тушите огонь водой! В случае возгорания жира сразу же накройте посуду крышкой. По возможности выключите варочную панель и позвоните в пожарную службу.

- Перед жареньем продукты нужно обязательно обсушивать. Опускайте продукты в горячий жир с осторожностью. Замороженные продукты перед жареньем следует полностью разморозить.
- Посуду, в которой разогревается жир, накрывать нельзя.
- Посуду следует ставить на плиту таким образом, чтобы ручки не нагревались над горячей поверхностью плиты. Не ставьте на плиту неустойчивую посуду, которая легко опрокидывается.
- Не ставьте на включенные конфорки пустую посуду – это может привести к ее повреждению.
- Не оставляйте включенными конфорки, на которых нет посуды – это может привести к повреждению плиты. Обязательно выключайте конфорки после окончания приготовления пищи.
- Не ставьте на плиту пластмассовую или алюминиевую посуду, так как на горячей поверхности они могут расплавиться. Такую посуду также не следует использовать для хранения пищевых продуктов.
- Можно использовать только посуду с плоским дном.
- Размер посуды должен соответствовать количеству продуктов. Тогда продукты не будут выплескиваться из посуды, и не придется лишний раз мыть плиту.

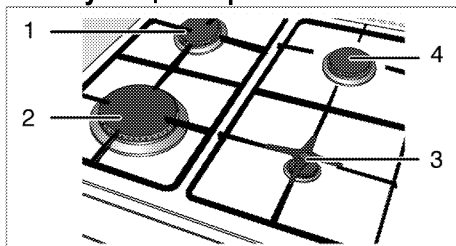
Не кладите на конфорки крышки кастрюль.

Размещайте посуду по центру конфорки. Если нужно переместить посуду на другую конфорку, поднимите ее и переставьте. Ни в коем случае не передвигайте посуду по поверхности плиты.

Приготовление пищи на газовой конфорке

- Диаметр пламени должен соответствовать размеру посуды. Пламя газовой конфорки следует регулировать таким образом, чтобы оно не выходило за пределы дна посуды. Посуду следует ставить по центру конфорки.

Эксплуатация варочных панелей



- 1 Нормальная конфорка 18-20 см
- 2 Конфорка быстрого нагрева 22-24 см
- 3 Дополнительная конфорка 12-18 см
- 4 Нормальная конфорка 18-20 см список рекомендованных диаметров посуды для использования на соответствующих конфорках.

Большой символ пламени соответствует максимальному уровню мощности, а маленький символ пламени – минимальному. В положении «выключено» (верхняя точка) подача газа к горелкам прекращается.

Розжиг газовых горелок

Горелка не оснащена устройством автоматического розжига. Используйте зажигалку для газовой плиты или спички.

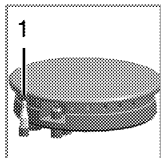
1. Прижмите регулятор горелки и
2. поверните его против часовой стрелки в сторону большого символа пламени.

3. Зажгите конфорку с помощью зажигалки для газовой плиты.
4. Установите нужный уровень мощности.

Выключение газовых горелок

Поверните регулятор зоны подогрева в положение «Выключено» (вверх).

Система предотвращения утечки газа (в моделях с термопарой)



1. Система предотвращения утечки газа

Горелки снабжены предохранительным механизмом, прекращающим подачу газа, если пламя внезапно погаснет, например, его зальет жидкость.

- Для розжига прижмите регулятор и поверните его против часовой стрелки.
- Чтобы включить систему защиты, после воспламенения газа удерживайте регулятор в нажатом положении еще 3-5 секунд.
- Если после нажатия и отпускания регулятора пламя погаснет, повторите те же действия, удерживая регулятор в нажатом положении в течение 15 секунд.



ОПАСНО!

Остерегайтесь вспышки несгоревшего газа!

Не удерживайте нажатой кнопку более 15 секунд, если газ не зажигается.

Повторите попытку зажечь газ через одну минуту.

6 Правила эксплуатации духовки

Общие сведения о выпекании, жарении и приготовлении с грилем



ПРЕДУПРЕЖДЕНИЕ!

Будьте осторожны с горячими поверхностями!

Не прикасайтесь к горячим поверхностям прибора – пользуйтесь прихватками. Не подпускайте к нему детей.



ОПАСНО!

Остерегайтесь ожогов горячим паром!

Будьте осторожны, открывая дверцу, так как наружу выходит пар.

Советы по выпеканию

- Используйте антипригарные металлические тарелки или алюминиевые контейнеры с соответствующим покрытием, либо термостойкие силиконовые формы.
- Рационально используйте площадь решетки.
- Устанавливайте форму для выпекания в середине решетки.
- Выбирайте правильное положение решетки перед включением духового шкафа или гриля. Не изменяйте положение решетки, когда духовой шкаф горячий.
- Держите закрытой дверцу шкафа.

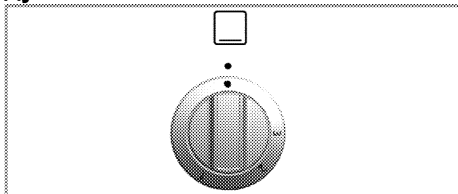
Советы по приготовлению жареных блюд

- Тушку курицы или индейки и большие куски мяса перед приготовлением рекомендуется сбрызнуть лимонным соком и посыпать черным перцем. Тогда готовое блюдо будет вкуснее.
- Мясо с костями следует жарить на 15-30 минут дальше, чем такое же количества мяса без костей.
- На каждый сантиметр толщины мяса требуется приблизительно 4-5 минут времени приготовления.
- По истечении времени приготовления мяса оставьте его в духовом шкафу примерно на 10 минут. Сок лучше рас-

пределится внутри куска жареного мяса и не будет вытекать, когда вы будете разрезать мясо.

- Рыбу в термостойкой посуде следует готовить на решетке, установленной на средний или нижний уровень.

Правила эксплуатации газовой духовки



Для управления газовой духовкой используется ручка регулятора газовой горелки. При положении "Выключено" (вверх) подача газа прекращается.

Включение газовой духовки

Для розжига духовки используется зажигалка для газовой плиты.

1. Откройте дверцу духовки.
2. Прижмите ручку регулятора газовой горелки духовки и поверните ее **против часовой стрелки**.
3. Зажгите газ с помощью зажигалки для газовой плиты через контрольное отверстие.
4. Прижмите регулятор горелки и не отпускайте 3-5 секунд.
» Проверьте, появилось ли пламя.
5. Прижмите и не отпускайте ручку регулятора горелки в течение 3-5 секунд.
6. Выберите нужную мощность горелки, установив регулятор на соответствующую отметку.

**ОПАСНО!**

Остерегайтесь вспышки несгоревшего газа!

"Устройством не следует пользоваться дольше 15 секунд. Если по истечении 15 секунд горелка не разгорелась, прекратите пользоваться устройством и откройте дверцу отделения и/или подождите, как минимум, 1 минуту перед тем, как попробовать разжечь горелку снова."

Температура в °С	175	300	320
---------------------	-----	-----	-----

Время приготовления блюд

Уровень 1 – это **самый нижний** уровень духовки.



Максимальная нагрузка на противень – 4 кг.



Указанные значения были получены в лабораторных условиях. Вы можете выбрать другие более подходящие значения.

Выключение газовой духовки

1. Поверните ручку регулятора горелки духовки в положение "Выключено" (вверх).

Температура нагрева при различных уровнях мощности газовых горелок:

Уровень мощности газовой горелки	1	2	3
----------------------------------	---	---	---

Чтобы брызги не попадали на под духовки и не пачкали духовку, ставьте блюдо на противень для выпечки.

Выпечка и жарение

Продукты	Разогрев *	Уровень размещения	Положение ручки регулятора	Время приготовления
Яблочный пирог	10 мин.	4	1	50...70 мин.
Фруктовый торт	10 мин.	4	1	20...40 мин.
Пирог	10 мин.	4	1	20...40 мин.
Печенье*	10 мин.	4	1	25...35 мин.
Закваска*	10 мин.	4	1	40...60 мин.
Торт	10 мин.	4	1	30...50 мин.
Сухое печенье	10 мин.	4	1	25...35 мин.
Жареная баранина	10 мин.	3	1	60...100 мин. на каждые 450 г + 30 мин.
Ростбиф	10 мин.	3	1	80...120 мин. на каждые 450 г + 30 мин.
Птица	10 мин.	3	1	60...80 мин. на каждые 450 г + 25 мин.
Запеканки	10 мин.	3	1	90...120 мин.
Рыба	10 мин.	4	1	35...45 мин.
Макароны	10 мин.	4	1	40...60 мин.
Пирожные	10 мин.	4	1	30...40 мин.
Песочный торт «Сендвич»	10 мин.	4	1	30...40 мин.

* при положении ручки регулятора 2 / § в зависимости от количества / # в зависимости от размера

7 Уход и техническое обслуживание

Общие сведения

Регулярно выполняйте чистку прибора. Это позволит продлить срок его службы, а также избежать многих проблем.



ОПАСНО!

Остерегайтесь поражения электрическим током!

Во избежание поражения электрическим током перед чисткой отключите прибор от электрической сети.



ОПАСНО!

Будьте осторожны с горячими поверхностями!

Не приступайте к чистке прибора, пока он не остынет.

- Прибор следует тщательно чистить после каждого использования. Так легче удалять остатки пищи, которые могут пригореть при следующем использовании прибора.
- Для чистки прибора не требуются специальные чистящие средства. Прибор можно вымыть теплой водой с добавлением жидким моющего средства, используя мягкую ткань или губку. А затем протереть сухой тканью.
- Обязательно протирайте прибор насухо после чистки и сразу же удаляйте попавшую на него жидкость.
- Не используйте для чистки ручки и поверхностей из нержавеющей стали чистящие средства, содержащими кислоту или хлор. Эти детали можно протирать мягкой тканью, смоченной в жидком моющем средстве (без абразивных добавок), стараясь тереть в одном направлении.
- Не используйте для чистки стеклянной крышки металлические скребки и абразивные чистящие средства, чтобы не повредить поверхность стекла.



Некоторые стиральные порошки и моющие средства могут повредить поверхность.

Не используйте сильнодействующие стиральные порошки, сухие чистящие средства, суспензии или острыми предметами.



Не используйте для очистки пароочистителя.

Чистка варочной панели

Газовые варочные панели

1. Снимите и вымойте конфорки и накладки горелок.
2. Вымойте варочную панель.
3. Аккуратно установите накладки горелок на свои места.
4. При установке верхних решеток следите за тем, чтобы горелки находились точно по центру конфорок.

Чистка панели управления

Очистьте панель управления и ручки-регуляторы влажной тканью и вытрите насухо.



Будьте осторожны, чтобы не повредить панель управления!

При чистке панели управления не снимайте ручки регуляторов.

Чистка духовки

Чистка дверцы духовки

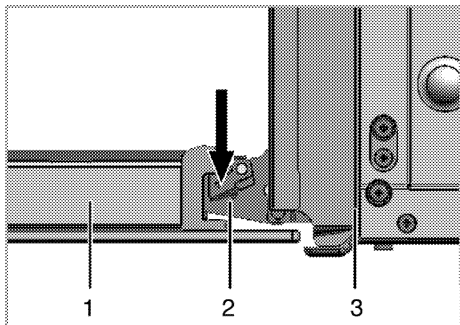
Мойте дверцу духовки мягкой тканью или губкой, смоченной в теплой воде с добавлением жидкого моющего средства, и вытирайте сухой тканью.



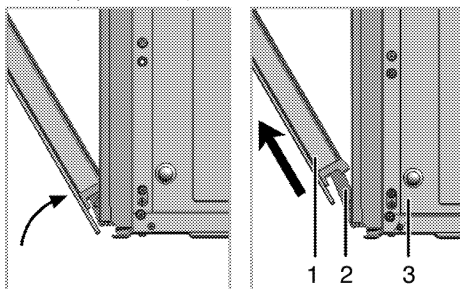
Не используйте для чистки дверцы моющие средства с абразивными веществами или металлические скребки. Они могут поцарапать поверхность и повредить стекло.

Снятие дверцы духового шкафа

1. Откройте переднюю дверцу (1).
2. Откройте зажимы на корпусе петли (2) с правой и левой стороны передней дверцы, нажав на них, как показано на рисунке.



- 1 Передняя дверца
- 2 Петля
- 3 Духовой шкаф



3. Откройте переднюю дверцу наполовину.
4. Снимите переднюю дверцу, потянув ее вверх и освободив от правой и левой петли.

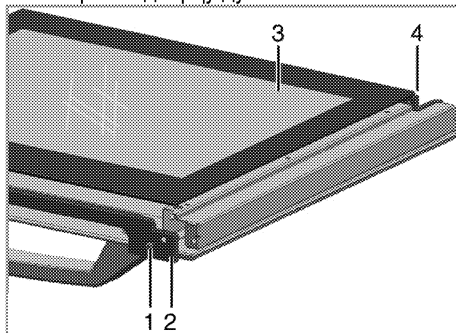


Для установки дверцы на место следует выполнить в обратном порядке действия по снятию. Не забудьте закрыть зажимы на корпусе петли при установке дверцы на место.

Снятие внутреннего стекла дверцы

Внутреннее стекло панели дверцы духового шкафа можно снять для чистки.

1. Откройте дверцу духовки.



- 1 Винт
 - 2 Пластмассовый профиль
 - 3 Внутреннее стекло
 - 4 Пластмассовый держатель
2. Открутите отверткой винт (1)
 3. Выньте профиль (2), а затем внутреннее стекло (3).
 4. После чего соберите дверь, установив стекло (3) в пластмассовые держатели (4) и сгруппировав профиль.

8 Поиск и устранение неисправностей

Во время работы из духового шкафа выделяется пар.

Вполне нормально, если пар выделяется во время работы. Это не является неисправностью.

Во время приготовления пищи образуются капли воды.

Пар, который образуется при приготовлении пищи, при попадании на холодные поверхности конденсируется в капли воды. Это не является неисправностью.

Газ не поступает.

Перекрыт общий газовый кран.

Откройте газовый кран.

Перегиб газового шланга.

Правильно расположите газовый шланг.

При розжиге не вспыхивает искра.

Нет тока.

Проверьте предохранители в блоке предохранителей.

Горелки плохо горят или вообще не горят.

Горелки засорены.

Очистите компоненты горелки.

Горелки влажные.

Просушите компоненты горелки.

Накладка горелки плохо установлена.

Правильно установите накладку горелки.

Перекрыт газовый кран.

Откройте газовый кран.

Газовый баллон пуст (при использовании сжиженного газа).

Замените газовый баллон.



Если вы не можете устранить неполадки, несмотря на выполнение инструкций, приведенных в данном разделе, обратитесь к представителю авторизованной сервисной службы. Не пытайтесь самостоятельно отремонтировать неисправный электроприбор.

Изготовитель: «Arcelik A.S.»

Юридический адрес: Караач Джаддеси № 2-6 34445 Сютлюдже Стамбул, Турция
(Karaağaç Caddesi No:2-6 Sütlüce, 34445, Turkey)

Произведено в Турции

Импортер на территории РФ: ООО «БЕКО»

Юридический адрес: 601010, Владимирская область, Киржачский район, завод «БЕКО»
Информацию о сертификации продукта Вы можете уточнить, позвонив на горячую линию
8-800-200-23-56.

Дата производства включена в серийный номер продукта, указанный на этикетке, расположенной на продукте, а именно: первые две цифры серийного номера обозначают год производства, а последние две – месяц. Например, "10-100001-05" обозначает, что продукт произведен в мае 2010 года.

Будь ласка, спочатку прочитайте цей документ.

Шановний покупець!

Сподіваємося, що цей товар, виготовлений на сучасних підприємствах і перевірений за допомогою суворих процедур контролю, допоможе вам досягнути найкращих результатів експлуатації.

Для цього рекомендуємо уважно прочитати всю інструкцію, перш ніж користуватися машиною, і зберегти її для подальшого використання з довідковою метою. Якщо ви передаєте комусь прилад, передайте й посібник користувача.

Посібник користувача допоможе вам користуватися приладом у швидкий і безпечний спосіб.

- Прочитайте посібник користувача, перш ніж встановлювати прилад та користуватися ним.
- Суворо дотримуйтеся правил техніки безпеки.
- Зберігайте цей посібник користувача в доступному місці для подальшого використання у довідкових цілях.
- Крім того, прочитайте інші документи, що входять до комплекту постачання приладу.
Зверніть увагу, що цей посібник також може бути дійсним для інших моделей.
У ньому чітко вказано розбіжності між моделями.

Пояснення до символів

У цьому посібнику користувача використовуються такі символи:



Важлива інформація або корисні поради з користування.



Попередження про небезпечні ситуації для життя та майна.



Попередження про ураження електричним струмом.



Попередження про ризик займання.



Попередження про гарячі поверхні.

Arçelik A.Ş.

Karaağaç caddesi No:2-6
34445 Sütlüce/Istanbul/TURKEY

Made in TURKEY

1 Загальна Інформація 4

Огляд.....	4
Технічні характеристики	5
Аксесуари.....	6
Таблиця інжекторів	6

2 Важливі правила техніки безпеки 7

Загальні правила техніки безпеки	7
Правила техніки безпеки для газових пристроїв	8
Призначення	9
Захист від дітей	9

3 Встановлення 10

До початку встановлення	10
Встановлення та підключення	11
Перехід на інший тип газу.....	12
Утилізація.....	14
Утилізація пакувальних матеріалів.....	14
Утилізація старого приладу	14
Утилізація старого приладу	15

4 Підготовка 16

Поради щодо збереження електроенергії	16
Початкове використання	16

Початкове очищення виробу.....	16
Перше розігрівання.....	16

5 Правила експлуатації варильної панелі 17

Загальна інформація щодо приготування	17
Використання варильних панелей	17

6 Використання духовки 19

Загальна інформація щодо запікання, смаження.....	19
Використання газової духовки	19
Таблиця часу приготування.....	20

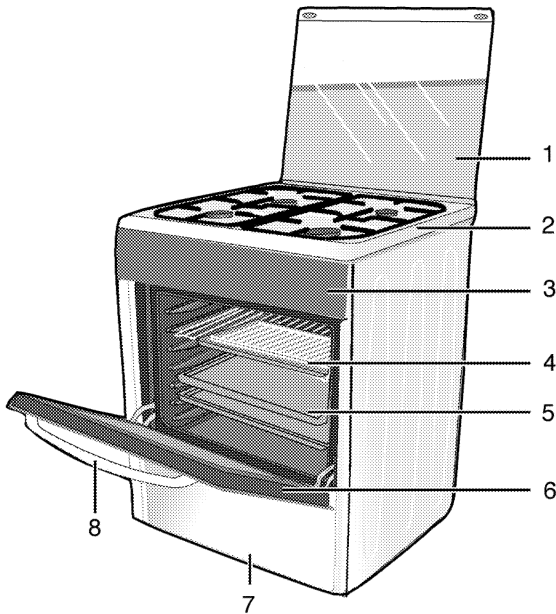
7 Догляд і технічне обслуговування 21

Загальна інформація	21
Чистка варильної панелі	21
Очищення панелі управління.....	21
Очищення духовки	21
Демонтаж дверцят духової шафи	22
Виймання внутрішнього скла дверцят.....	22

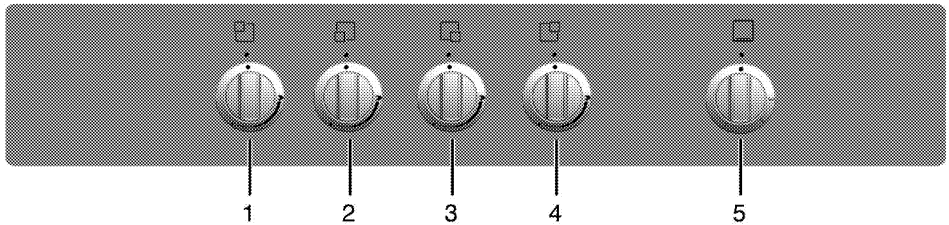
8 Пошук та усунення несправностей 23

1 Загальна Інформація

Огляд



- | | | | |
|---|-------------------|---|------------------|
| 1 | Верхня кришка | 5 | Піддон |
| 2 | Панель пальника | 6 | Передні дверцята |
| 3 | Панель управління | 7 | Нижня частина |
| 4 | Решітчаста полиця | 8 | Ручка |



- | | | | |
|---|--|---|----------------------------------|
| 1 | Нормальна конфорка Задній лівий | 4 | Нормальна конфорка Задній правий |
| 2 | Конфорка швидкого нагріву Передній лівий | 5 | Ручка духової шафи |
| 3 | Додаткова конфорка Передній правий | | |

Технічні характеристики

ЗАГАЛЬНІ ВІДОМОСТІ	
Зовнішні габарити (висота/ширина/глибина)	850 мм/500 мм/600 мм
Категорія газового приладу	II 2H3B/P
Тип/тиск газу	NG G 20/20 мбар
Загальне споживання газу	10.4 кВт
Перехід на тип/тиск газу [§] – додатково	NG G 20/13 мбар NG G 20/10мбар - LPG G 30/30 мбар
ВАРИЛЬНА ПАНЕЛЬ	
Конфорки	
Задній лівий	Нормальна конфорка
Живлення	2 кВт
Передній лівий	Конфорка швидкого нагріву
Живлення	2.9 кВт
Передній правий	Додаткова конфорка
Живлення	1 кВт
Задній правий	Нормальна конфорка
Живлення	2 кВт
ДУХОВА ШАФА/ГРИЛЬ	
Головна духова шафа	Газова духова шафа
Споживання газу для духової шафи	2.5 кВт



З метою удосконалення якості продукції технічні характеристики приладу можуть бути змінені без попереднього повідомлення.



Малюнки в цьому посібнику є схематичними і можуть не відповідати вашому виробові.



Значення, наведені на табличках машини та в супровідній документації, отримані в лабораторних умовах згідно з відповідними стандартами. Залежно від умов експлуатації та навколишнього середовища ці значення можуть змінюватися.

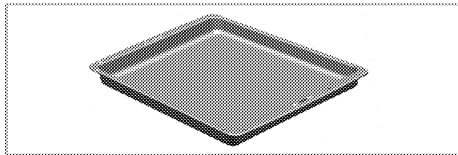
Акcesуари



Акcesуари, що входять до комплекту постачання, залежать від моделі виробу. Комплект постачання вашого виробу може містити не всі акcesуари, описані в цьому посібнику користувача.

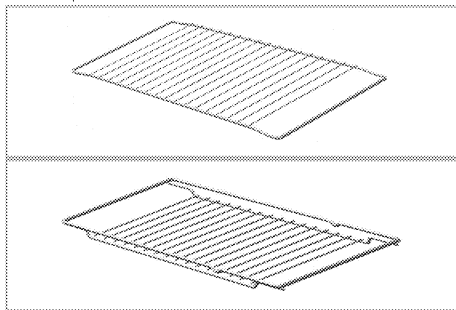
Деко духової шафи

Для випічки, замороженої їжі та великих шматків м'яса.



Решітчаста полиця

Для смаження, а також розміщення продуктів при випіканні, смаженні чи приготуванні запіканок на потрібній полиці.



Таблиця інжекторів

Розташування зони варильної панелі	2 кВт Задній лівий	2.9 кВт Передній лівий	1 кВт Передній правий	2 кВт Задній правий
Тип/тиск газу				
G 20/10 мбар	125	155	90	125
G 20/13 мбар	116	145	84	116
G 20/20 мбар	103	115	72	103
G 30/28-30 мбар	72	87	50	72
Тип/тиск газу	Газова духова шафа			
G 20/10 мбар	130			
G 20/13 мбар	128			
G 20/20 мбар	115			
G 30/28-30 мбар	73			

2 Важливі правила техніки безпеки

У цьому розділі наведені правила техніки безпеки, які допоможуть уникнути ризику травмування та пошкодження. Якщо не дотримуватися цих правил, усі гарантії буде анульовано.

Загальні правила техніки безпеки

- Цей прилад не призначений для використання особами (зокрема, дітьми) з фізичними, сенсорними й розумовими порушеннями, а також особами без відповідних навичок і досвіду, якщо вони не перебувають під наглядом особи, відповідальної за їхню безпеку, або яка надасть їм відповідний інструктаж щодо експлуатації приладу. Треба слідкувати за дітьми, щоб не дозволяти їм псувати техніку.
- Підключіть прилад до розетки/лінії із заземленням, захищеної плавким запобіжником відповідної ємності, як вказано в таблиці технічних характеристик. У разі використання з трансформатором чи без нього переконайтеся у наявності заземлення, виконаного кваліфікованим електриком. Наша компанія не несе відповідальності за збитки внаслідок використання приладу без заземлення відповідно до місцевих норм і правил.
- Для запобігання нещасним випадкам, якщо шнур живлення пошкоджений, його має замінити виробник, його спеціаліст з сервісу чи інша особа, котра має аналогічну кваліфікацію.
- Не користуйтеся приладом, якщо він несправний чи має видимі ознаки пошкодження.
- Не слід ремонтувати чи модифікувати прилад. Утім, ви можете самостійно усунути деякі несправності, що не передбачають ремонту чи модифікацій. Див. *Пошук та усунення несправностей, стор. 23.*
- Не мийте прилад водою! Існує ризик ураження електричним струмом!
- Не користуйтеся виробом під впливом алкоголю й/або лікарських засобів, які погіршують кмітливість і координацію рухів.
- Під час робіт зі встановлення, обслуговування, чистки й ремонту прилад слід обов'язково від'єднати від електромережі.
- Будьте обережні, коли додасте до страв алкогольні напої. Спирт випаровується за високої температури і може призвести до пожежі, зайнявшись після контакту з гарячими поверхнями.
- Не нагрівайте в духовій шафі закриті контейнери та скляні банки. Тиск всередині банки може призвести до її вибуху.
- Перевірте, щоб поруч із пристроєм не було легкозаймистих матеріалів, оскільки бічні поверхні сильно нагріваються під час роботи.
- Не можна ставити дека для випічки, тарілки або розміщувати алюмінієву фольгу безпосередньо на нижній поверхні духової шафи. Тепло, що акумулюється, може пошкодити нижню частину духової шафи.
- Усі вентиляційні отвори мають бути відчиненими.
- Під час використання пристрій може нагріватися. Не торкайтеся гарячих конфорок, внутрішніх частин духової шафи, нагрівальних елементів тощо.
- Виймаючи посуд із духової шафи чи розміщуючи його в ній,

користуйтеся спеціальними термостійкими рукавицями.

- Не користуйтеся духовою шафою при знятому чи тріснутому склі передніх дверцят.
- Під час використання задня поверхня духової шафи нагрівається. Слідкуйте за тим, щоб газові шланги й електричні дроти не торкалися задньої стінки, оскільки це може спричинити їхнє пошкодження.
- Слідкуйте за тим, щоб шнур живлення не було затиснуто між рамою та дверцятами духової шафи, й не прокладайте його гарячими поверхнями. У разі недотримання цієї вимоги ізоляція кабелів може розплавитися і спричинити пожежу в результаті короткого замикання.
- Після кожного використання переконайтеся в тому, що прилад вимкнено.

Правила техніки безпеки для газових пристроїв

- Усі роботи з газовим обладнанням та системами має проводити тільки авторизований кваліфікований персонал.
- "Перед встановленням переконайтеся в дотриманні умов місцевої розподільної системи (тиск газу й тип газу) та умов регулювання пристрою."
- "Цей пристрій не під'єднується до обладнання для видалення продуктів горіння. Його слід встановлювати та під'єднувати відповідно до поточних нормативів зі встановлення. Особливу увагу слід приділити відповідним вимогам щодо вентиляції;" див. *До початку встановлення, стор. 10*
- "ЗАСТЕРЕЖЕННЯ. Робота газової плити веде до утворення тепла, вологи та продуктів згорання у

приміщенні, де вона встановлена. Забезпечте достатню вентиляцію кухні, особливо під час використання приладу: залиште відкритими отвори природної вентиляції або встановіть механічний вентиляційний пристрій (ковпак механічної витяжки). У разі тривалої експлуатації пристрою може знадобитися додаткова вентиляція, наприклад, збільшення рівня потужності механічної вентиляції, якщо така є."

- Слід проводити регулярну перевірку роботи газових пристроїв і систем. Регулятор, шланг і його затискач слід перевіряти регулярно й замінювати в терміни, рекомендовані виробником, чи в разі виникнення потреби.
- Регулярно чистіть газові конфорки. Полум'я має бути блакитним і рівномірним.
- Для газових пристроїв необхідне хороше згорання газу. У випадку неповного згорання може утворюватися окис вуглецю (CO). Окис вуглецю – це дуже токсичний газ без запаху та кольору, який навіть у малих дозах може призвести до смерті.
- Зверніться до постачальника газу для отримання відомостей про телефонні номери аварійної служби газу та заходи безпеки у разі появи запаху газу.

Заходи у разі появи запаху газу



НЕБЕЗПЕЧНО!

Ризик вибуху й отруєння!

Не використовуйте відкрите полум'я і не паліть.

Не використовуйте електричні вимикачі (наприклад, вимикач світла або дверний дзвінок).

Не користуйтеся стаціонарним чи мобільним телефоном.

1. Закрийте всі крани на газових пристроях і лічильниках газу.
2. Відчиніть двері та вікна.
3. Перевірте всі труби та надійність всіх з'єднань. Якщо запах газу не зникає, вийдіть з помешкання.
4. Попередьте сусідів.
5. Зателефонуйте до пожежної служби. Скористайтеся телефоном за межами будинку.
6. Не заходьте до помешкання, доки вам не повідомлять, що це безпечно.

Призначення

Прилад призначений для домашнього використання. Використання з комерційною метою є неприпустимим. "ЗАСТЕРЕЖЕННЯ. Цей прилад призначений тільки для приготування їжі. Його не можна використовувати для інших цілей, наприклад, для обігріву приміщення."

Виробник не несе відповідальності за будь-які збитки, спричинені неправильним використанням або помилками експлуатації.


Духову шафу можна використовувати для розморожування, випічки та смаження на грилі.


Захист від дітей


- Електричне та газове обладнання становить загрозу для дітей. Під час роботи виробу не допускайте до нього дітей та не дозволяйте дітям гратися з ним.
- Забезпечте віддалення дітей від виробу під час його роботи та доки він не охолоне, оскільки доступні частини виробу сильно нагріваються.
- "Доступні додаткові захисні засоби для запобігання контакту з дверцятами духової шафи. Цей компонент має бути встановлено за умови присутності в приміщенні експлуатації виробу маленьких дітей."
- Не зберігайте речі, які можуть дістати діти, над виробом.
- Якщо дверцята відчинені, **не** ставте на них важкі речі та **не** дозволяйте дітям сидіти на дверцятах. Це може спричинити перекидання виробу чи пошкодження петель дверцят.
- Пакувальні матеріали можуть становити небезпеку для дітей. Не допускайте дітей до них. Утилізуйте всі компоненти упаковки відповідно до екологічних стандартів.

3 Встановлення

Пристрій має встановити кваліфікований спеціаліст відповідно до чинних нормативів. В іншому разі, гарантію буде анульовано. Виробник не несе відповідальності за шкоду, заподіяну внаслідок виконання робіт особами, які на це не уповноважені. Це може призвести до анулювання гарантії.

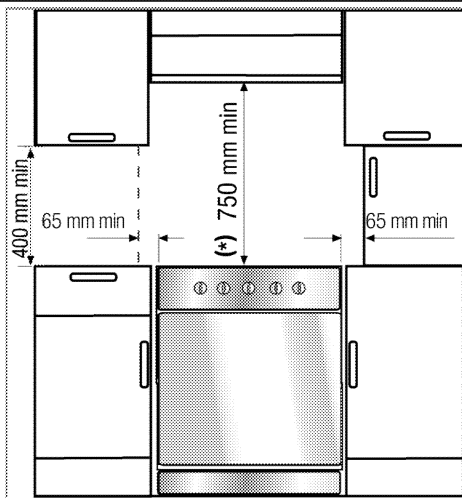
 Покупець відповідальний за підготовку місця для установки й виконання електричних і газових з'єднань.

 **НЕБЕЗПЕЧНО!**
Прилад слід встановити відповідно до всіх місцевих норм з питань газового й/або електричного обладнання.

 **НЕБЕЗПЕЧНО!**
Перед встановленням огляньте прилад на наявність дефектів. Якщо такі є, не встановлюйте його.
Пошкоджені прилади можуть становити загрозу для вашої безпеки.

До початку встановлення

Аби забезпечити наявність необхідних проміжків для циркуляції повітря під пристроєм, рекомендуємо встановлювати його на твердій поверхні так, щоб ніжки не занурювалися в килим або м'яке підлогове покриття. Кухонна підлога має витримати вагу пристрою з урахуванням додаткової ваги посуду для приготування та страв.



- Її можна використовувати разом із кухонними шафами по обидва боки, проте необхідно залишити щонайменше 400 мм вільного простору над рівнем конфорок, а також щонайменше 65 мм вільного простору між духовкою і стінкою, перегородкою або високою кухонною шафою.
- Крім того, духовка може стояти окремо. Забезпечте вільний простір щонайменше 750 мм від поверхні духовки до поверхонь над нею.
- За необхідності встановлення надплитного очисника повітря дотримуйтеся інструкцій його виробника щодо висоти монтажу пристрою (мін. 650 мм).
- Пристрій належить до класу 1, отже, його можна встановлювати так, щоб задня поверхня й **одна** з бічних сторін сусідили з кухонними стінами, меблями чи обладнанням будь-якого розміру. Кухонні меблі чи обладнання з **іншого** боку мають дорівнювати духовій шафі за розміром чи бути меншими.

- Кухонні меблі, розташовані поряд із пристроєм, мають бути термостійкими (витримувати температуру щонайменше 100 °С).

Вентиляція приміщення

У приміщенні має бути вікно, яке можна відчинити, а в деяких приміщеннях також необхідна наявність постійної вентиляції.

Забір повітря для процесу горіння відбувається в приміщенні, й гази, що виходять, виділяються безпосередньо в приміщення.

Гарна вентиляція приміщення – необхідна умова безпечної роботи пристрою. Якщо в приміщенні немає вікна чи дверей, слід встановити додаткову систему вентиляції.

Пристрій можна встановлювати в кухні, в кухні-їдальні та житловій кімнаті, але не в приміщенні з ванною та душем.


Пристрій заборонено встановлювати в житловій кімнаті площею менше за 20 м².³

Не встановлюйте пристрій в приміщенні, нижчому за рівень поверхні, якщо воно не виходить на рівень поверхні щонайменше однією стороною.

Розмір приміщення	Вентиляційний отвір
менший за 5 м ³	мін. 100 см ²
5 м ³ до 10 м ³	мін. 50 см ²
більший за 10 м ³ , ден	не потрібно
У підвалі чи в сокелі	мін. 65 см ²


Встановлення та підключення

Виріб слід встановлювати й під'єднувати відповідно до затверджених правил встановлення.




Не встановлюйте пристрій поряд з холодильниками чи морозильниками. Тепло, випромінюване пристроєм, може призвести до зростання енергоспоживання охолоджувального обладнання.

- Виріб мають переносити щонайменше двоє людей.
- Виріб слід встановлювати безпосередньо на підлозі, а не на підставці чи стійці.




Матеріальні збитки!
Для підняття чи пересування пристрою не можна використовувати дверцята й/або ручку.

Підключення газу




НЕБЕЗПЕЧНО!
Ризик вибуху чи отруєння через непрофесійне встановлення. Підключення пристрою до газорозподільної системи має проводити тільки авторизований кваліфікований спеціаліст.



НЕБЕЗПЕЧНО!
Ризик вибуху!
Перш ніж розпочинати будь-які роботи зі встановлення газового обладнання, перекрийте постачання газу.

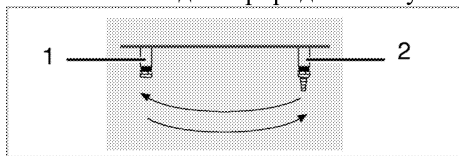
- Умови та значення налаштування газопостачання наведені в інформаційних табличках (або в табличці з позначенням типу іону).




Вашу плиту налаштовано для використання природного газу.

- Під'єднання природного газу слід виконати перед встановленням пристрою.
- У разі необхідності замініть патрубок шланга ззаду духової шафи заглушкою, обираючи зручне

місце залежно від розташування вентиля подачі природного газу.



- 1 Заглушка
 - 2 Патрубок шланга
- На виході системи подачі природного газу має знаходитися гнучка трубка, кінчик якої має бути закритий заглушкою. Під час процедури підключення представник сервісної служби зніме заглушку і під'єднає пристрій за допомогою відповідного з'єднувача (муфти).
 - Упевніться, що вентиль подачі природного газу досяжний.
 - У разі необхідності використання пристрою з іншим типом газу проконсультуйтеся зі співробітниками авторизованої сервісної служби щодо відповідної процедури переходу на інший тип газу.


 **НЕБЕЗПЕЧНО!**
Ризик вибуху і збитків через пошкодження захисної труби! Захисну трубу не можна затискати або згинати; він не повинен контактувати з гарячими частинами пристрою.

- Посуньте пристрій до кухонної стіни.
- **Регулювання ніжок духової шафи**
Через вібрації під час використання посуд може рухатися. Цієї небезпечної ситуації можна уникнути, якщо пристрій вирівняно та збалансовано.
Для гарантування безпеки вирівняйте пристрій, відрегулювавши чотири нижні


ніжки, повертаючи їх праворуч або ліворуч, і сумістивши рівень з робочою поверхнею.

Остання перевірка

1. Відкрийте вентиль подачі газу.
2. Перевірте надійність усіх з'єднань.
3. Запаліть конфорки й перевірте на появу полум'я.

 Полум'я має бути блакитним і рівномірним. Якщо полум'я жовтішає, перевірте правильність положення кришки конфорки або очистіть конфорку.


Перехід на інший тип газу

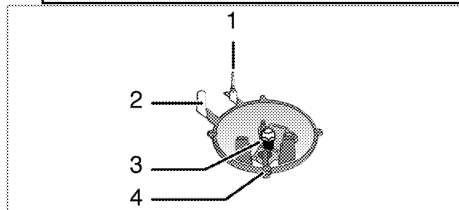
 **НЕБЕЗПЕЧНО!**
Ризик вибуху!
Перш ніж розпочинати будь-які роботи зі встановлення газового обладнання, перекрийте постачання газу.

Щоб перевести пристрій на інший тип газу, замініть усі інжектори і виконайте регулювання полум'я на всіх клапанах у положенні мінімальної подачі газу.

Заміна інжекторів для конфорок

1. Зніміть кришку та корпус конфорки.
2. Вигвинтіть інжектори, повертаючи проти годинникової стрілки.
3. Встановіть нові інжектори.
4. Перевірте надійність всіх з'єднань.

 Розташування нових інжекторів показано на упаковці чи в таблиці *Таблиця інжекторів, стор. 6.*



- 1 Запобіжник гасіння (залежно від моделі)
- 2 Запальна свічка
- 3 Інжектор



Не намагайтеся витягти вентиля газowych конфорок, за винятком аномальних умов. Для заміни вентилів слід звернутися до авторизованої сервісної служби.

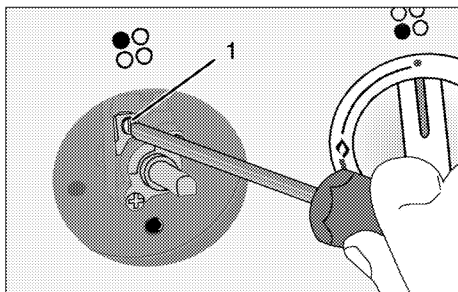
Встановлення мінімального потоку газу для вентилів варильної панелі

1. Запаліть конфорку, яку слід відрегулювати, і, повернувши ручку, зменшіть горіння до мінімуму.
2. Зніміть ручку регулятора з крана подачі газу.
3. До гвинта регулювання подачі газу застосовуйте викрутку відповідного розміру.

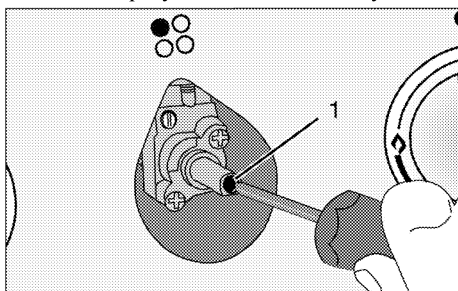
Для скрапленого нафтового газу (бутан-пропан) слід повернути гвинт за годинниковою стрілкою. Для природного газу слід один раз повернути гвинт **проти годинникової стрілки**.

» Нормальна висота прямого полум'я у положенні мінімального потоку має становити 6-7 мм.

4. Якщо полум'я вище, поверніть гвинт за годинниковою стрілкою в потрібне положення, якщо нижче – поверніть у зворотному напрямку.
5. Насамкінець для контролю переведіть конфорку на високе полум'я, далі – на мінімальний потік і перевірте, чи горить полум'я.
6. Положення гвинта регулювання подачі залежить від типу крана подачі газу, використовуваного у пристрої.



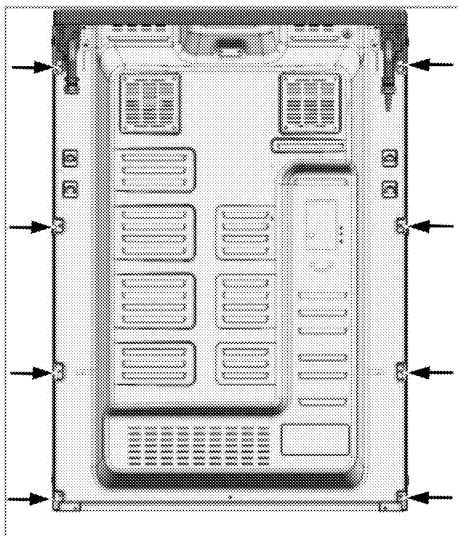
1 Гвинт регулювання подачі газу



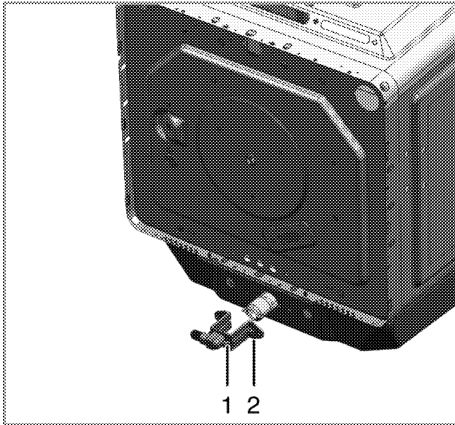
1 Гвинт регулювання подачі газу

Заміна інжекторів для духовки

1. Викрутіть фіксуючі гвинти задньої стінки.



2. Викрутіть два гвинти (2) тримача інжектора (1).

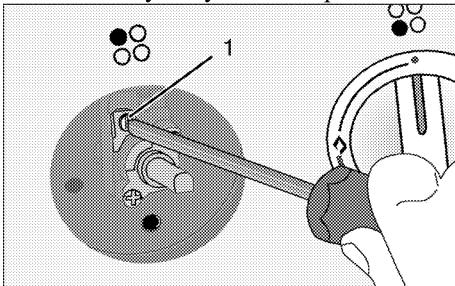


- 1 Тримач інжектора
- 2 Гвинт
3. Вийміть тримач інжектора.
4. Вигвинтіть інжектори, повертаючи проти годинникової стрілки.
5. Встановіть новий інжектор.

Регулювання мінімальної подачі для газової духовки

Для правильної роботи духовки надзвичайно важливо виконати повторну перевірку налаштування подачі газу. Для максимальної безпеки ці дії слід виконувати обережно.

1. Запаліть конфорку, яку слід відрегулювати, і, повернувши ручку, збільшіть горіння до максимуму.
2. Закрийте дверцята духовки і зачекайте 10-15 хвилин, поки вона нагріється для регулювання.
3. Зніміть ручку.
4. Через 15 хвилин встановіть найменшу потужність горіння.



5. Встановіть висоту полум'я на 2-3 мм, регулюючи гвинт / на термостаті духовки. Поверот гвинта за годинниковою стрілкою зменшує полум'я, проти годинникової стрілки – збільшує.

i Якщо температура духовки раптово зростає, вимкніть духовку і зверніться до авторизованої сервісної служби для ремонту термостата.

Бутан/пропан	Природний газ
Затягніть гвинт до кінця	Ослабте гвинт
	1/2 повороту



i Якщо тип газу для пристрою змінено, також слід замінити паспортну табличку, на якій зазначено тип газу, використовуваний пристроєм.

Утилізація

Утилізація пакувальних матеріалів

- Пакувальні матеріали становлять загрозу для дітей. Зберігайте пакувальні матеріали в безпечному й недоступному для дітей місці. Пакувальні матеріали для приладу виготовлені з матеріалів, які підлягають вторинній переробці. Правильно утилізуйте їх і сортуйте відповідно до вказівок стосовно відходів, які підлягають переробці. Не викидайте їх разом зі звичайними побутовими відходами.

Утилізація старого приладу

- Збережіть оригінальну упаковку приладу й перевозьте прилад у ній. Дотримуйтеся вказівок, зазначених на упаковці. Якщо оригінальна упаковка не збереглася, обгорніть

пристрій пухирчастим поліетиленом або товстим картоном і надійно заклейте стрічкою.

- Щоб запобігти пошкодженню дверцят решітчастим ґрилем і деками, розмістіть шматок картону з внутрішнього боку дверцят духовки нарівні з деками. Прикріпіть дверцята духовки до бічних стінок клейкою стрічкою.
- Закріпіть кришки та підставки для каструль ізоляційною стрічкою.
- Не підіймайте й не пересувайте прилад за дверцята чи ручку.



Не розмішуйте на пристрої інші предмети. Пристрій слід транспортувати у вертикальному положенні.



Перевірте загальний вигляд пристрою на можливі пошкодження під час транспортування.

Утилізація старого приладу



Утилізацію старого приладу слід проводити в екологічно безпечний спосіб.

Цей прилад позначений символом роздільного сортування для електричного та електронного обладнання (WEEE). Це означає, що з цим виробом слід поводитися відповідно до Європейської директиви 2002/96/ЕС, щоб мінімізувати негативний вплив на середовище під час його переробки або розбирання. Для отримання докладнішої інформації зверніться до місцевих чи регіональних органів влади.

Щоб дізнатися, як утилізувати прилад, зверніться до місцевого дилера чи в центр утилізації твердих відходів. Перед утилізацією приладу відріжте вилку кабелю живлення та виведіть із ладу замок дверцят (за наявності), щоб запобігти небезпеці для дітей.

4 Підготовка

Поради щодо збереження електроенергії

Наведені нижче поради допоможуть використовувати пристрій, не завдаючи шкоди навколишньому середовищу та зберігаючи електроенергію:

- Користуйтеся темним чи емальованим посудом: це покращить передачу тепла.
- Під час приготування виконуйте процедуру розігрівання, якщо вона рекомендована у посібнику користувача чи рецепті.
- Під час приготування їжі не відчиняйте дверцята духової шафи занадто часто.
- Якщо це можливо, намагайтеся готувати в духовій шафі кілька страв одночасно. Ви можете готувати, розмістивши два контейнери з продуктами на решітчастому грилі.
- Готуйте одну страву за іншою, адже духову шафу вже розігріта.
- Розморозуйте заморожені продукти перед приготуванням.
- Використовуйте каstrулі/сковорідки з кришками для приготування. Якщо кришки немає, енергоспоживання може зрости в 4 рази.
- Оберіть конфорку, що відповідає розміру використовуваної каstrулі. Обирайте для страв каstrулі правильного розміру. Більші каstrулі потребують більше електроенергії.

Початкове використання

Початкове очищення виробу



Деякі засоби для миття або матеріали для чищення можуть пошкодити поверхню.

Не використовуйте агресивні засоби для миття, порошки/рідини для чищення або гострі предмети.

1. Видаліть всі пакувальні матеріали.
2. Протріть поверхні виробу вологою тканиною чи губкою, а потім витріть насухо.

Перше розігрівання

Нагрівайте прилад протягом приблизно 30 хвилин, а потім вимкніть його. Таким чином буде випалено будь-які залишки речовин після виробництва або шари консервуючих речовин.



ПОПЕРЕДЖЕННЯ!

Гарячі поверхні можуть стати причиною опіків!

Не торкайтеся гарячих поверхонь пристрою. Не допускайте дітей до пристрою; користуйтеся прихватками.

Газова духову шафу

1. Витягніть з духової шафи всі дека й решітчастий гриль.
2. Закрийте дверцята духової шафи.
3. Виберіть максимальне нагрівання для газової духової шафи; див. *Використання газової духовки, стор. 19.*
4. Дайте духовій шафі попрацювати протягом 30 хвилин.
5. Вимкніть духову шафу; див. *Використання газової духовки, стор. 19.*



Під час першого нагрівання можуть з'явитися дим та запах. Забезпечте вентиляцію приміщення.

5 Правила експлуатації варильної панелі

Загальна інформація щодо приготування



НЕБЕЗПЕЧНО!

Ризик пожежі через перегріву олію!

Нагрівуючи олію, не залишайте її без нагляду.

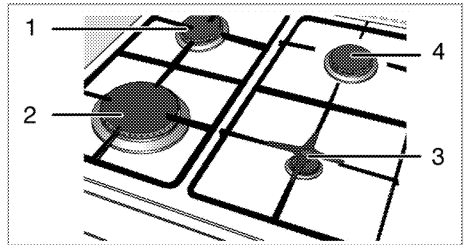
Не намагайтеся загасити пожежу водою! Якщо олія спалахне, відразу накрийте каструлю чи сковорідку кришкою. Якщо це безпечно, вимкніть варильну панель, і зателефонуйте до пожежної служби.

- Завжди ретельно висушуйте продукти перед смаженням й обережно опускайте їх у гарячу олію. Перед смаженням переконайтеся, що заморожені продукти цілком розморожені.
 - Під час нагрівання олії не накривайте посуд кришкою.
 - Розміщуйте сковорідки й каструлі так, аби їхні ручки не були розташовані над варильною панеллю для запобігання нагріванню. Не ставте на варильну панель нестійкий або здатний до перекидання посуд.
 - Не ставте на увімкнені зони нагрівання порожній посуд і каструлі. Це може їх пошкодити.
 - Використання зони нагрівання без посуду чи каструлі спричинить пошкодження приладу. Після завершення приготування вимкніть зони нагрівання.
 - Оскільки поверхня приладу може бути гарячою, не ставте на неї пластиковий чи алюмінієвий посуд. У посуді з вищезгаданих матеріалів не варто зберігати й продукти.
 - Використовуйте лише каструлі й посуд із плоским дном.
- Наповнюйте каструлі та сковорідки достатньою кількістю їжі. Таким чином ви запобігатимете проливанню страв і зайвому чищенню.
Не кладіть на зони нагрівання кришки каструль або сковорідок. Розташовуйте каструлі по центру зони нагрівання. При бажанні перемістити каструлю на іншу зону нагрівання, замість посувати, підніміть і поставте її на потрібну зону.

Приготування на газу

- Розмір посуду має відповідати обсягу газового полум'я. Налаштуйте полум'я так, аби воно не виходило за межі дна посуду, й розташуйте посуд по центру тримача.

Використання варильних панелей



- 1 Нормальна конфорка 18-20 см
- 2 Конфорка швидкого нагріву 22-24 см
- 3 Додаткова конфорка 12-18 см
- 4 Нормальна конфорка 18-20 см перелік рекомендованих діаметрів посуду для використання на відповідних конфорках.

Зображення великого полум'я відповідає максимальній потужності нагріву, маленького полум'я – мінімальній потужності. У положенні "вимкнено" (верхньому) подачу газу до конфорок заблоковано.

Запалювання газових конфорок

Конфорка не оснащена функцією автоматичного розпалювання.

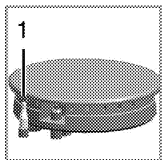
Скористайтеся запальничкою або сірником.

1. Утримуйте ручку управління конфоркою натиснутою.
2. Поверніть її проти годинникової стрілки й установіть на зображення великого полум'я.
3. Запаліть варильну панель за допомогою запальнички.
4. Відрегулюйте потужність полум'я.

Вимикання газових конфорок

Поверніть ручку зони нагрівання у вимкнене (верхнє) положення.

Запобіжна система вимикання газу (у моделях із термічним компонентом)



1. Запобіжна система вимикання газу

Задля запобігання гасінню конфорок через виливання рідини спрацьовує спеціальний механізм і перекриває подачу газу.

- Натисніть ручку всередину та поверніть проти годинникової стрілки, щоб запалити газ.
- Коли газ буде запалено, натисніть й утримуйте ручку протягом 3-5 секунд, аби увімкнути запобіжну систему.
- Якщо газ не буде запалено після того, як ви натиснете й відпустите ручку, повторіть процедуру, натиснувши й утримуючи ручку протягом 15 секунд.



НЕБЕЗПЕЧНО!

Ризик вибуху газу, що не згорів!

Не натискайте на ручку довше 15 секунд, якщо газ не загоряється.

Зачекайте хвилину і повторіть спробу запалювання.

6 Використання духовки

Загальна інформація щодо запікання, смаження



ПОПЕРЕДЖЕННЯ!

Гарячі поверхні можуть стати причиною опіків!

Не торкайтеся гарячих поверхонь пристрою. Не допускайте дітей до пристрою; користуйтеся прихватками.



НЕБЕЗПЕЧНО!

Ризик опіку парою!

Будьте обережні, відчиняючи дверцята, оскільки назовні виходить пара.

Поради щодо запікання

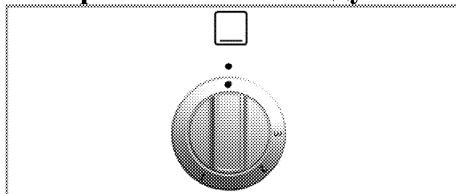
- Використовуйте металевий посуд з покриттям, яке не пригорає, алюмінієві ємності чи термостійкі силіконові форми для випічки.
- Використовуйте місце на решітці найпродуктивнішим чином.
- Встановіть форму для випікання посередині решітки.
- Вибирайте правильне положення решітки перед увімкненням духової шафи чи гриля. Не змінюйте положення решітки, якщо духовка гаряча.
- Дверцята духовки мають бути зачинені.

Поради щодо смаження

- Такі приправи, як лимонний сік і чорний перець, покращать результат приготування цільного курчати, індички чи великого шматка м'яса.
- Приготування м'яса з кістками триватиме на 15-30 хвилин довше, ніж смаження м'яса аналогічного розміру без кісток.
- Дотримуйтеся розрахунку: 4-5 хвилин на сантиметр висоти м'яса.

- Після завершення часу приготування залиште м'ясо в духовці на 10 хвилин. Сік краще розподілиться по всій поверхні смаженини та не виділятиметься під час різання готової страви.
- Рибу у вогнетривкому посуді слід встановити на решітку на середньому чи низькому рівні.

Використання газової духовки



Управління функціями газової духовки здійснюється за допомогою ручки управління. У вимкненому (верхньому) положенні газ не подається.

Вмикання газової духовки

Для запалювання газової духовки скористайтеся запальничкою.

1. Відчиніть дверцята духовки.
2. Натискаючи на ручку управління газової духовки, поверніть її **проти годинникової стрілки**.
3. Запаліть газ через отвір для запалювання за допомогою запальнички.
4. Натисніть і утримуйте регулятор конфорки протягом 3-5 секунд.
» Перевірте, щоб було запалено газ і горіло полум'я.
5. Натискайте на регулятор конфорки ще 3 – 5 секунд.
6. Виберіть потрібну потужність нагріву/позначку газу.



НЕБЕЗПЕЧНО!

Ризик вибуху газу, що не згорів!
"Пристроєм не варто користуватися понад 15 секунд. Якщо по завершенні 15 секунд пальник не розгорівся, припиніть використання пристрою та відчиніть дверцята й/або зачекайте щонайменше 1 хвилину, перш ніж спробувати розпалити пальник іще раз."

Вимикання газової духовки

1. Поверніть ручку газової духовки в положення "вимкнено" (вгору).

Ці рівні подачі газу означають наступне:

Рівень газу	1	2	3
Температура у °C	175	300	320

Таблиця часу приготування



Рівень 1 – це нижній рівень нагрівання духовки.



Максимальне навантаження на деко духовки: 4 кг (8,8 фунта).



Наведені значення отримані в лабораторних умовах. Дійсні значення для ваших умов можуть відрізнятися від наведених.

Щоб запобігти проливанню на дно духової шафи та її забрудненню, підставляйте під страви піддон для запікання.

Запікання та смаження

Страва	Підігрівання *	Рівень встановлення дека	Положення ручки управління	Час приготування
Пиріг з яблуками	10 хв.	4	1	50...70 хв.
Фруктовий пиріг	10 хв.	4	1	20...40 хв.
Пиріг	10 хв.	4	1	20...40 хв.
Печиво	10 хв.	4	1	25...35 хв.
Дріжджі	10 хв.	4	1	40...60 хв.
Кекс	10 хв.	4	1	30...50 хв.
Бісквіт	10 хв.	4	1	25...35 хв.
Смажене м'ясо молодого баранчика	10 хв.	3	1	60...100 хв. на 450 г + 30 хв.
Ростбіф	10 хв.	3	1	80...120 хв. на 450 г + 30 хв.
Свійська птиця	10 хв.	3	1	60...80 хв. на 450 г + 25 хв.
Запіканки	10 хв.	3	1	90...120 хв.
Риба	10 хв.	4	1	35...45 хв.
Макарони	10 хв.	4	1	40...60 хв.
Тістечка	10 хв.	4	1	30...40 хв.
Сандвіч «Вікторія»	10 хв.	4	1	30...40 хв.

* у положенні ручки управління 2 / [§] залежно від кількості / [#] залежно від розміру

7 Догляд і технічне обслуговування

Загальна інформація

За умови регулярного очищення приладу його термін використання буде подовжено, а частоту виникнення несправностей зменшено.



НЕБЕЗПЕЧНО!

Ризик ураження електричним струмом!

Щоб уникнути ураження електричним струмом, відключайте пристрій від мережі електроживлення.



НЕБЕЗПЕЧНО!

Гарячі поверхні можуть стати причиною опіків!

Перед очищенням пристрою зачекайте, поки він охолоне.

- Ретельно очищуйте прилад після кожного використання. Це спрощує видалення залишків їжі та запобігає їхньому згоранню під час наступного використання приладу.
- Для чистки приладу спеціальні засоби для миття не потрібні. Використовуйте теплу воду з розчиненою в ній рідиною для миття та шматок м'якої тканини чи губку, а також шматок сухої тканини для витирання насухо.
- Слідкуйте за тим, аби після очищення ретельно витирати надлишок води чи усувати пролиті рештки.
- Не користуйтеся засобами, що містять кислоту чи хлор, для чистки поверхонь із нержавіючої сталі та ручки. Втирайте ці частини м'якою тканиною, змоченою в рідкому засобі для миття (не абразивному), не змінюючи напрямку.
- Не користуйтеся гострими металевими скребками чи

жорсткими абразивними засобами для чищення склокерамічної поверхні. Це може її пошкодити.



Деякі засоби для миття або матеріали для чищення можуть пошкодити поверхню.

Не використовуйте агресивні засоби для миття, порошки/рідини для чищення або гострі предмети.



Не використовуйте для чищення парові пристрої.

Чистка варильної панелі

Газові варильні панелі

1. Зніміть й очистіть підставки для посуду та кришки газових конфорок.
2. Очистіть варильну панель.
3. Встановіть кришки газових конфорок і переконайтеся, що вони розташовані надійно.
4. Встановлюючи верхні елементи гриля, розташуйте підставки для посуду так, аби конфорки знаходилися по центру.

Очищення панелі управління

Протріть панель управління й ручки вологою тканиною й витріть їх насухо.



Пошкодження панелі управління!

Не знімайте ручки управління з панелі управління для чищення.

Очищення духовки

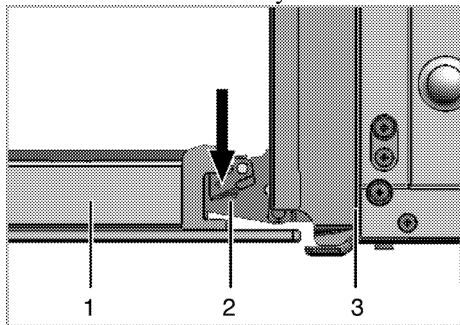
Очищення дверцят духовки

Для очищення дверцят духової шафи використовуйте теплу воду з розчиненою в ній рідиною для миття та шматок м'якої тканини чи губку, а також шматок сухої тканини для витирання насухо.

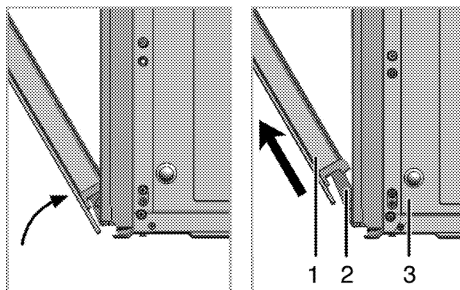
i Для чищення дверцят духової шафи не користуйтеся жорсткими абразивними засобами або гострими металевими скребками. Вони можуть подрпати поверхню та пошкодити скло.

Демонтаж дверцят духової шафи

1. Відчиніть передні дверцята (1).
2. Відкрийте скоби гнізда для петлі (2) з правого та лівого боків передніх дверцят, натиснувши на скоби, як показано на малюнку.



- 1 Передні дверцята
- 2 Петля
- 3 Духова шафа



3. Трохи посуňte передні дверцята.

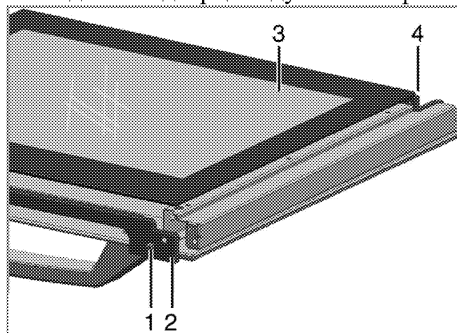
4. Вийміть передні дверцята, потягнувши вгору, доки вони не звільняться з правої та лівої петель.

i Для встановлення дверцят на місце слід повторити процес виймання у зворотному порядку. Не забудьте закрити скоби гнізда для петлі.

Виймання внутрішнього скла дверцят

Внутрішню скляну панель дверцят духової шафи можна вийняти для чистки.

1. Відчиніть дверцята духової шафи.



- 1 Гвинт
 - 2 Пластмасовий профіль
 - 3 Найглибша скляна панель
 - 4 Пластмасовий тримач
2. Викрутіть гвинт (1) викруткою
 3. Вийміть профіль (2), а потім внутрішнє скло (3).
 4. Потім знову зберіть дверцята, установіть скляну панель (3) у пластмасові тримачі (4) та згрупуйте профіль.

8 Пошук та усунення несправностей

Під час використання духового шафа виділяє пару.

Зазвичай під час роботи з'являється пара. Це не несправність.

Під час приготування з'являються краплі води.

Пара, що виникає під час приготування, може конденсуватися у краплі води при контакті з холодними поверхнями пристрою. Це не несправність.

Газ не подається.

Закрито основний кран подачі газу.

Відкрийте кран подачі газу.

Труба подачі газу зігнута.

Встановіть трубу подачі газу відповідним чином.

Немає запальної іскри.

Немає струму.

Перевірте запобіжники.

Конфорки не працюють правильно чи взагалі не працюють.

Конфорки брудні.

Очистіть компоненти конфорок.

Конфорки вологі.

Висушіть компоненти конфорок.

Кришка конфорки не встановлена щільно.

Встановіть кришку конфорки щільно.

Закрито кран подачі газу.

Відкрийте кран подачі газу.

Газовий балон порожній (при використанні нафтового зрідженого газу).

Замініть газовий балон.



Якщо, незважаючи на застосування інструкцій цього розділу, несправність усунути не вдалося, зверніться до представника авторизованої сервісної служби чи дилера, в якого ви придбали пристрій. Не намагайтеся відремонтувати несправний пристрій самотужки.

